

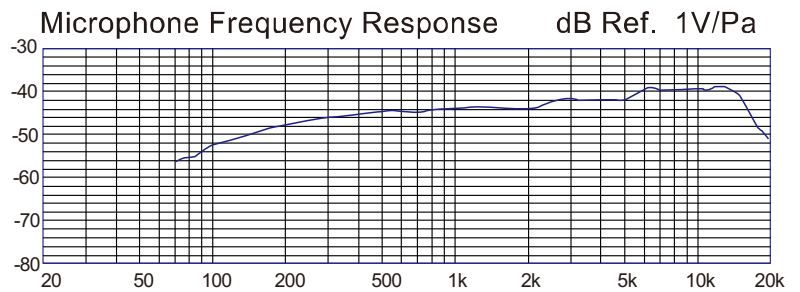
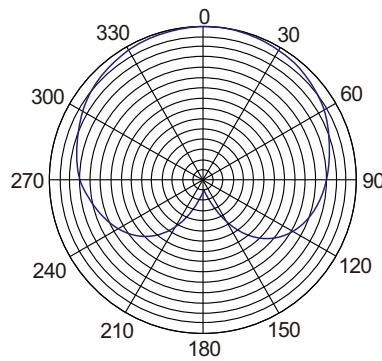
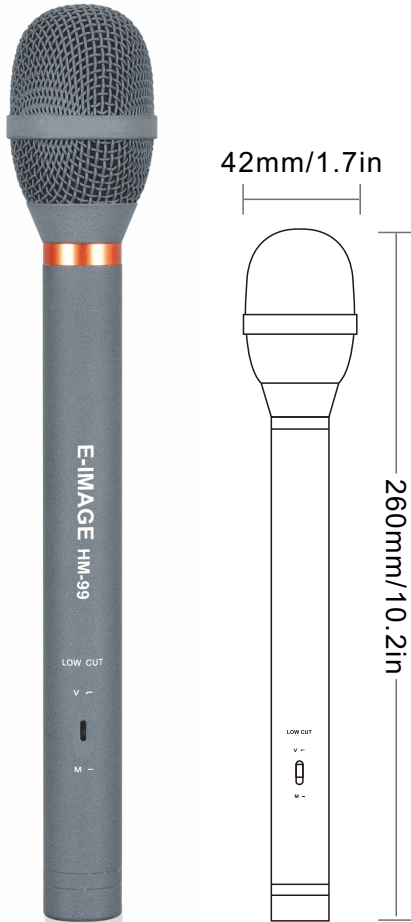


The magic life in the image world

E-IMAGE

HM-99 Face-to-face Interviewing Hand-held Microphone

The E-IMAGE HM-99 is a cardioid hand held microphone designed for use during interview, close-up vocals, indoor recording. The microphone is equipped with an internal, multi-layer mesh basket that acts as a windscreen, reducing plosives and avoiding the need for an external wind shield.



COMPONENT



HM-99 microphone	1pc
Microphone stand mount	1pc
5/8"-3/8"base connector	1pc
XLR cable	1pc



SPECIFICATIONS

Element	Back Electret Condenser
Polar Pattern	Cardioid / Hyper-cardioid / Omni
Frequency Response	70Hz-12kHz
Bass	180Hz 12dB
Sensitivity	-44dB/-45dB±2dB(1dB=1V/Pa at 1kHz)
Output Impedance	500Ω/600Ω±20%(at 1kHz)
Max.Input SPL	130dB/115dB(T.H.D≤1% at 1kHz)
Signal to Noise Ratio	70dB(1kHz at 1Pa)
Dynamic Range	48V DC/1.5V AA/UM3, 2mA
Body Dimensions	φ 42×260mm
Output Interface	XLRM XLR PLUS

FEATURES




Cardioid

Ideal for interview, close-up vocals, indoor recording. HM-99 is extremely well suited for situation where a short-distance interview and face-to-face conversation.




Hyper-cardioid

Omni

Interchangeable with hyper-cardioid and omni sound heads.




With broad balanced range of frequency response.

70Hz-12kHz
Frequency response



Operates on 48V phantom power.

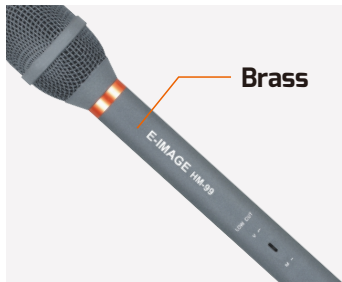


LOW CUT

V -

M -

Selectable low-cut filter minimizes unwanted noise and rumble.



Brass

Brass shell paint by special flannel lacquer, which makes the products beautiful.