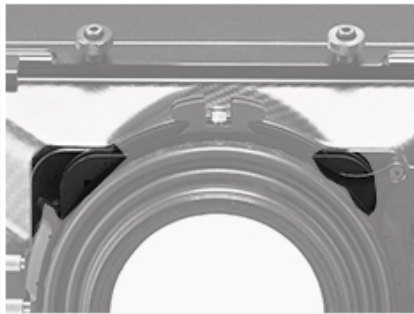




Degree of rotation 180°.



Two 4x4" filter holders.



Removable rubber light holders for standard 8.8cm or 12.8cm lens, which blocking stray light reflections from behind camera.



The removable top and side flags provide you additional flare control.



It can be easily mounts onto 15mm rods via its rod adapter.



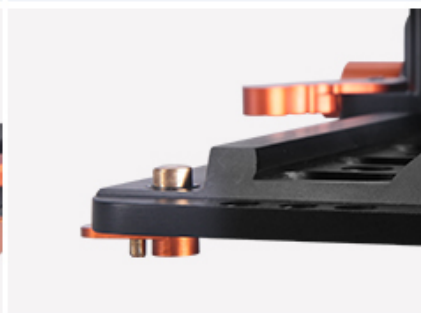
This matte box features carbon fiber and aluminum construction, makes it lightweight and durable. .



There are 1/4" screw mounting holes at the bottom.



15mm rail rod support plate, enables use of standard accessories for the 15mm rod system.



Safety lock.