

IP IR Bullet Camera

5M, 30fps, IR(30m)

DMC-5036BZW

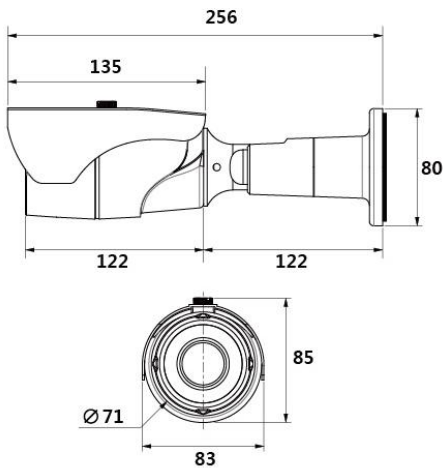
Picture



Feature

- 1/2.8" Sony 5.69M Pixels STARVIS CMOS
- H.264, H.265, MJPEG Triple Codec, Onvif Profile S(17.12v)
- High Performance Triple Streaming
- Day/Night with ICR, Min. 0.02Lux, LED on: 0Lux
- 2.8~12mm Mega Pixel DC Auto Iris Lens
- Motion Detection, Privacy Masking (4), Digital Zoom, Defog, 3DNR, LDC Video Rotation (Corridor), WDR, SHDR, BLC
- Audio (1/1), Alarm (1/1), SD Slot (Max. 256GB)
- Built-In High Effective 36LEDs(IR Distance 30m)
- Option: PoE, 2Motors(2.8-13.5mm)

Dimensions



Unit: mm

Specifications

| MODEL | DMC-5036BZW |
|----------------------------|--|
| Video | |
| Image Sensor | 1/2.8" 5.69M Sony STARVIS CMOS |
| Scan mode | Progressive Scan |
| Number of effective pixels | 2616(H) x 1964(V) approx. 5.1M pixels |
| Minimum illumination | Color:0.1Lux, 0.02Lux with Sens-Up(4x)/F1.2, 50IRE, LED On:0Lux |
| Day & Night | Day & Night with ICR (TDN) |
| S/N Ratio | More than 54dB (AGC Off) |
| Lens | 2.8 ~ 12mm 5M Varifocal Lens H:99.2°(W)~29.7°(T),V:68.6°(W)~21.4°(T),D:131.5°(W)~36.6°(T) Option: 2.8 ~ 13.5mm 5M Varifocal Lens H:99.1°(W)~30.3°(T),V:52.4°(W)~17°(T),D:118.2°(W)~34.8°(T) |
| Iris | DC Auto Iris |
| Network | |
| Video Compression | H.265 Main profile, H.264(High, Main, Base line profile), MJPEG |
| Ethernet | RJ-45(10/100BASE-T) |
| Video Resolution | Stream1:2592x1944, 2592x1520, 2592x1458,2304x1296, 1920x1080, 1280x720 Stream2:Max. 1920x1080, Stream3:Max. 640x480 |
| Video Streaming | Simultaneously H.265/4 and MJPEG(Triple Codec) |
| Video Frame Rate | Up to 25/30fps@5M |
| Bitrate Control | CBR or VBR(200K~12Mbps) |
| Audio | Audio In/Out(1/1),Two Way(G.711) |
| Memory SD Slot | SDHC/SDXC(256G) |
| Event | Input: Sensor/Motion Output :Sensor Output/SD Recoding |
| Client Viewer | Web viewer |
| Max. User Connection | 10 Users |
| Network Protocol | TCP/IP, HTTP, HTTPS, UPnP, RTSP, DHCP, STATIC IP, Onvif |
| Function | |
| Image Quality | Brightness, Contrast, Saturation, Hue, Sharpness, Denoise, 3DNR, Defog |
| Exposure | Compensation, DC Iris, DSS, Anti-Flicker, Shutter Speed, AGC |
| Back Light | BLC, WDR, SHDR |
| White Balance | Manual, Auto, Daynight, Cloudy, Tungsten, Sunset |
| Day & Night Mode | Auto, Day, Night, EXT(Low), EXT(High) |
| Privacy / Motion | 4Zones / Zones |
| SD Card Recording mode | Continuous, Motion, Sensor, Motion+Sensor |
| Lens Distortion Correction | On / Off |
| Video Rotation(Corridor) | Vertical Flip / Horizontal Flip |
| IR Range | 30m (36 IR LEDs) |
| Environment | |
| Operating Humidity | 30 % ~ 90 % RH |
| Operating Temp. | -30°C~60°C(-22°F~140°F) |
| Electrical | |
| Power Consumption | Max 8.1W |
| Power Supply | DC12V±10, |
| Mechanical | |
| Construction | Aluminum Body, Glass Window |
| Dimension | 83(W)mmX85(H)mmX256(D)mm |
| Weight | About 0.9Kg |
| Certificate | |
| | CE, FCC, KC, IK10, IP66 |