

# IP IR Dome Camera

5M, 30fps, IR(30m)

## DMC-5030PVZW

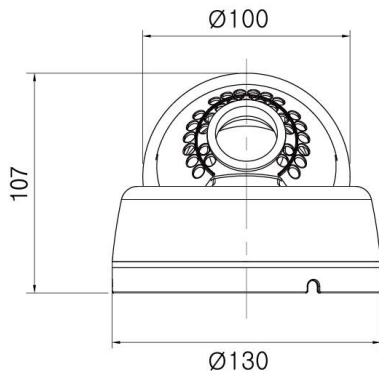
### Picture



### Feature

- 1/2.8" Sony 5.69M Pixels STARVIS CMOS
- H.264, H.265, MJPEG Triple Codec, Onvif Profile S(17.12v)
- High Performance Triple Streaming
- Day/Night with ICR, Min. 0.02Lux, LED on: 0Lux
- 2.8~12mm Mega Pixel DC Auto Iris Lens
- Motion Detection, Privacy Masking (4), Digital Zoom, Defog, 3DNR, LDC Video Rotation (Corridor), WDR, SHDR, BLC
- Audio (1/1), Alarm (1/1), SD Slot (Max. 256GB)
- Built-In High Effective 30LEDs(IR Distance 30m)
- Option: PoE, 2Motors(2.8-13.5mm)

### Dimensions



Unit: mm

### Specifications

MODEL	DMC-5030PVZW
<b>Video</b>	
Image Sensor	1/2.8" 5.69M Sony STARVIS CMOS
Scan mode	Progressive Scan
Number of effective pixels	2616(H) x 1964(V) approx. 5.1M pixels
Minimum illumination	Color:0.1Lux, 0.02Lux with Sens-Up(4x)/F1.2, 50IRE, LED On:0Lux
Day & Night	Day & Night with ICR (TDN)
S/N Ratio	More than 54dB (AGC Off)
Lens	2.8 ~ 12mm 5M Varifocal Lens H:99.2°(W)~29.7°(T),V:68.6°(W)~21.4°(T),D:131.5°(W)~36.6°(T) Option: 2.8 ~ 13.5mm 5M Varifocal Lens H:99.1°(W)~30.3°(T),V:52.4°(W)~17°(T),D:118.2°(W)~34.8°(T)
Iris	DC Auto Iris
<b>Network</b>	
Video Compression	H.265 Main profile, H.264(High, Main, Base line profile), MJPEG
Ethernet	RJ-45(10/100BASE-T)
Video Resolution	Stream1:2592x1944, 2592x1520, 2592x1458,2304x1296, 1920x1080, 1280x720 Stream2:Max. 1920x1080, Stream3:Max. 640x480
Video Streaming	Simultaneously H.265/4 and MJPEG(Triple Codec)
Video Frame Rate	Up to 25/30fps@5M
Bitrate Control	CBR or VBR(200K~12Mbps)
Audio	Audio In/Out(1/1),Two Way(G.711)
Memory SD Slot	SDHC/SDXC(256G)
Event	Input: Sensor/Motion Output :Sensor Output/SD Recoding
Client Viewer	Web viewer
Max. User Connection	10 Users
Network Protocol	TCP/IP, HTTP, HTTPS, UPnP, RTSP, DHCP, STATIC IP, Onvif
<b>Function</b>	
Image Quality	Brightness, Contrast, Saturation, Hue, Sharpness, Denoise, 3DNR, Defog
Exposure	Compensation, DC Iris, DSS, Anti-Flicker, Shutter Speed, AGC
Back Light	BLC, WDR, SHDR
White Balance	Manual, Auto, Daynight, Cloudy, Tungsten, Sunset
Day & Night Mode	Auto, Day, Night, EXT(Low), EXT(High)
Privacy / Motion	4Zones / Zones
SD Card Recording mode	Continuous, Motion, Sensor, Motion+Sensor
Lens Distortion Correction	On / Off
Video Rotation(Corridor)	Vertical Flip / Horizontal Flip
IR Range	30m (30 IR LEDs)
<b>Environment</b>	
Operating Humidity	30 % ~ 90 % RH
Operating Temp.	-10°C~60°C(14°F~140°F)
<b>Electrical</b>	
Power Consumption	Max 7.5W
Power Supply	DC12V±10,
<b>Mechanical</b>	
Construction	Plastic Body, PC bubble
Dimension	130(W)mm x 107(H)mm x φ100(Bubble)
Weight	About 0.5Kg
<b>Certificate</b>	
	CE, FCC, KC