

IP IR PTZ Camera

36X,QHD(4M),400M

DQC-3614SEIW

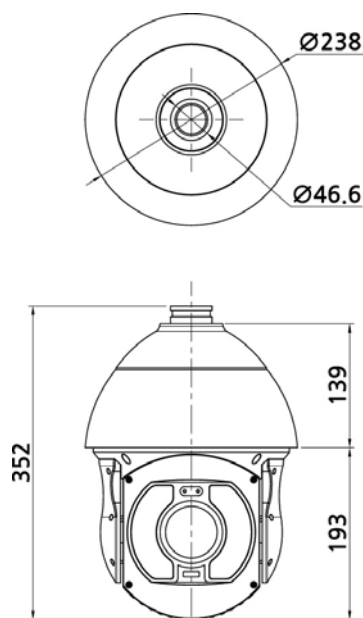
Picture



Feature

- 1/2" PS-CMOS 4M IP IR PTZ Camera
- 1440p@30fps frame rate,H.265 Compression with Ambarella Codec
- Optical 36x Zoom, Digital 32x Zoom, Auto Focus
- Day & Night with ICR, Low up to 0.005Lux with DSS(x32), LED On: 0Lux
- WDR(120dB), 3D DNR, Digital Image Stabilizer
- Motion Detection, Privacy Masking (8), Defog, Time Schedule
- Preset(250), Group(12), Tour, Trace, Alarm(1/1), Dehumidification
- Max. IR Distance 400M (10pcs High Power LEDs + 4pcs Laser LEDs)
- Outdoor Type, Fan/Heater

Dimensions



Unit: mm

Specifications

MODEL	DQC-3614SEIW
Video	
Image Sensor	1/2" 6Mega Sony Starvis CMOS
Scan mode	Progressive Scan
Total number of pixels	3,096(H) x 2,094(V), 6.48M Pixels
Number of active pixels	3,089(H) x 1,744(V), 5.39M Pixels
Resolution	1440P
Minimum illumination	Color : 0.2Lux , BW : 0.05Lux Min. 0.005Lux with DSS(32x), LED On:0Lux
Video Output	LAN / CVBS : 1.0Vp-p, 75Ω Composite
S/N Ratio	50dB
Lens	
Lens	6~216.0mm(F1.5~F4.8) Optical(36x), Digital Zoom(32x), Total Zoom (1152x)
Focus mode	Auto / Manual / Oneshot
Angle of view(WxT)	D:55.5°~2.13°, H:49.27°~1.85°, V:28.93°~1.04°
Network	
Hardware	Flash (32Mbyte), RAM (256Mbyte) Ethernet: RJ-45(10/100BASE-T) Channel 1ch (CVBS)
Video Output	Compression H.265, H.264 & MJPEG Dual Codec Primary:2560x1440, 1920X1080,1280X1024,1280X720 Secondary: Max. 720X480,Tertiary: Max. 320X240 Max. Frame rate 30/25 fps Bitrate control : CBR or VBR(64K~12Mbps)
Audio	Audio In(1), Audio Out(1),8 bit PCM (G711 u-law) 8KHz, Mono
Memory Slot	SD/SDHC Memory Slot(MAX.64GB)
Event	Alarm / Motion Detection : E-mail, FTP, Event, Noti- Service
Recording	Manual / Schedule / motion Detection / Sensor Event
Client Viewer	Web viewer, CMS, Max-i
Network Protocol	HTTP, TCP/IP, UDP, ARP, ICMP, RTP/RTSP/ DHCP, Telnet, FTP, .NTP, DDNS, SMTP, UPNP, PPPoE, Onvif, PSIA
Pan/ Tilt	
Pan/Tilt angle	360° Endless / -10°~ 92°
Pan Speed	0.1° ~ 120°/sec (64 Levels), Preset: 240°/sec
Preset point	250 Presets
Alarm in/out	1 Inputs / 1 Relay Output
Function	
Day & Night	Day / Auto Slow / Auto fast / Night
Back Light	Off / WDR / HLC / BLC
White Balance	ATW / Auto/ Indoor / Outdoor
DNR	Off / Low / Middle / Max / Auto
Privacy / Motion	8 Zones / 1 Zones
Color Level	Level Setting
Stabilizer	On/Off
Defog	Off/Auto/Manual
IR Distance	Max. 400m: 10pcs High Power LEDs+4pcs Laser LEDs
Environment	
Operating Humidity	30 % ~ 90 % RH
Operating Temp.	- 50°C to 60°
Electrical & Mechanical	
Power Consumption	Max 42W
Power Supply	AC24V, 50/60Hz
Construction	Aluminum body(Ivory/Black) & Plastic Window(Black)
Dimension	238mm(W)X352(H)mm
Weight	About 5Kg (Camera Only)
Certificate	CE, FCC, KC,IK10,IP66