

***TELIKOU*[®] Intercom System**

IP-1X IP Interface

Instruction Manual

© **TELIKOU Systems**

All Rights Reserved

www.telikou.com

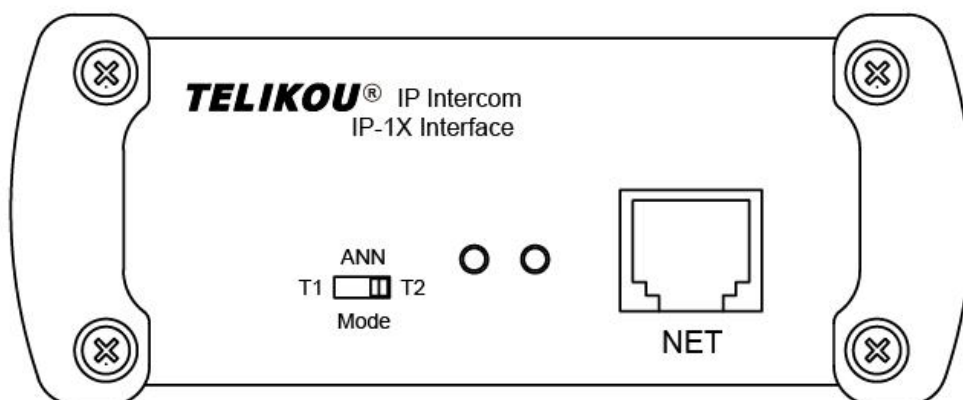
While **TELIKOU** makes every attempt to maintain the accuracy of the information contained in its product manuals, that information is subject to change without notice

I. Instruction

Thank you for choosing TELIKOU intercom product. Before use, we recommend you read through this manual to better understand the function of IP-1X. If you have any question that does not addressed on this manual, please contact your dealer or call us. We are standing by to assist you.

IP-1X is a IP interface for intercom system. It is generally used in pairs. IP-1X has one 10/100MB POE network connector. It can make your intercom audio signal sent through your local area network. IP-1X also can be powered by 4-wire or 2-wire connector.

II. Basic operations



NET Connector

RJ-45 connector. 10/100MB POE connector.

Supports all the network switchers.

Mode Switcher

T1 and T2 can be set to another IP-1X interface IP address or IP-1X group.

If T1 is set to exactly IP-1X IP address.

When switch to T1, IP-1X will make a full duplex communication with its target.

If T1 is set to a IP-1X group.

When switch to T1, IP-1X will make a continuous single way broadcast to IP-1X group.

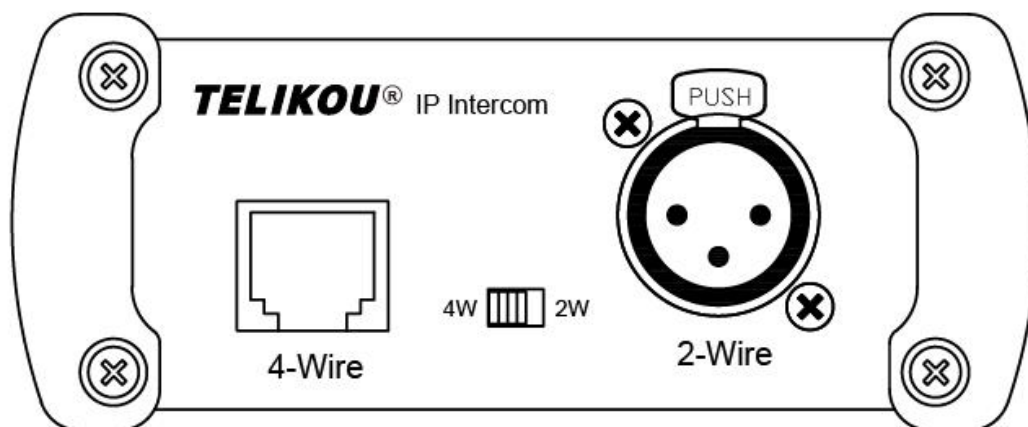
Same for T2.

Middle ANN space is blank.

It let IP-1X to listen other IP-1X signal.

Note:

When IP-1X are used in a pair. One IP-1X is set to T1 or T2, another IP-1X is set to ANN.



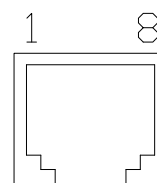
4W / 2W Selector

Select 4-wire mode or 2-wire mode

4-Wire Connector

RJ-45 4-wire connector

- Pin 1 --- Ground;
- Pin 2 --- 12~30VDC;
- Pin 3 --- Audio Output +;
- Pin 4 --- Audio Input +;
- Pin 5 --- Audio Input -;
- Pin 6 --- Audio Output -;
- Pin 7 --- Null;
- Pin 8 --- Null;



2-Wire Connector

XLR-3M Connector

- Pin 1 --- GND

Pin 2 --- 12~30VDC

Pin 3 --- Audio

III IP Address

IP address is preset for IP-1X.

It also can be changed by software.

IV Technical Specification

Input voltage:

12~3VDC

Dimensions

125mm(L) x 110mm(W) x 47mm(H)

Weight

0.3kg