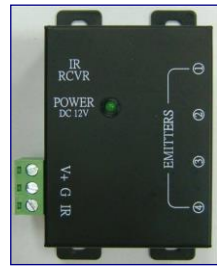


INSTRUCTIONS

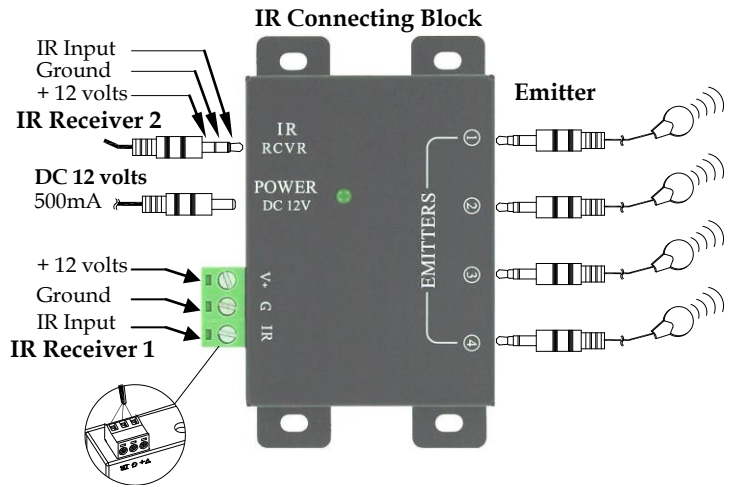
RPT-104-7 Connecting Block

Model: RPT-104-7



Features:

- Four emitter output connections
- Power receptacle with LED indicator
- Removable Connector for system connection



Installation

Power: Connect a 12 VDC 500 mA power supply (not included) to the power jack. (2.1mm + tip -sleeve)
The green LED will be illuminated when powered. This will power all of the IR components connected to the system.

System Connection: Connect the IR system to the detachable connector printed V+ (12VDC), G (Ground), and IR (Signal).

Emitter Outputs: Choosing compatible parts -IEC-3501 (MINATURE IR SINGLE EMITTER) or IEC-3502 (MINATURE IR DUAL EMITTER), connect up to 4 emitters to the emitter jacks marked 1-4. Place the emitters on the source equipment.

Mounting: Mount /adhere IR emitters over the source equipment IR receiver.

