

IP CABLING TRANSMISSION

ITEM NO.: IP07M Chainable IP Extender with Power Over Coax/Two Wire



IP07M IP Extender with power solution is designed to send and extend Ethernet network with power can be established using existing cables up to 500M. You can use a coax cable or two-wire cable (UTP cable, coax cable, telephone line, antenna cable, or bell wire). It is perfect solution to replace your analog camera with IP camera but using existing cable. IP07M could be a transmitter or receiver unit, with the special feature allow to do chainable/series/star connection up to 4 IP cameras. It is perfect solution for extended distance data and power transmission for warehouses, parking lots, campuses, casinos and many more.

IP07M Chainable IP Extender with Power over Coax/Two Wire

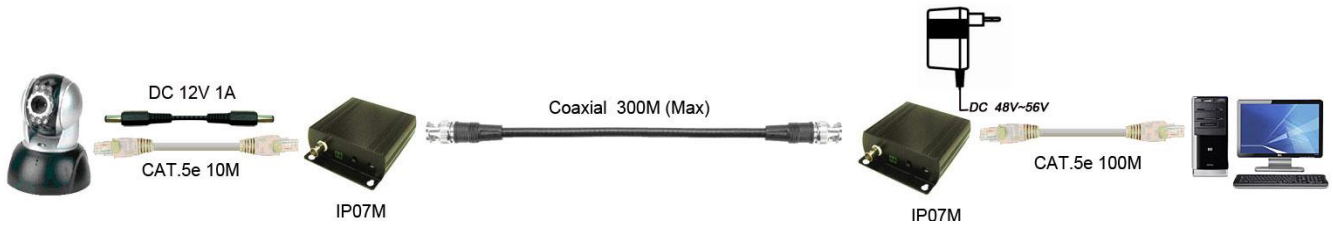
- Extend IP camera signal with power over existing coaxial cable or any two wire cable.
- Extend Ethernet or any TCP/IP devices up to 1.5Km.
- Provide IP camera power up to DC12V 1Amp (12W) ,distance up to 500M.
- Support chainable/ series/star connection up to 4 IP cameras.
- Support 10/100BASE-T transmission rate.
- When doing one camera to IP with Power installation, power source could select either from transmitter or receiver .
- When doing series or star installation to send IP with power, each IP07M need external power adapter.
- Perfect to upgrade the analog camera system into IP CCTV application.
- IP07M Power Source Option Model:
 - DC24V 30W power adapter: SWP241250**
 - DC48V 40W power adapter: SWP480830**
 - DC56V 70W power adapter: SWP551260**

Installation View:



Connection Diagram:

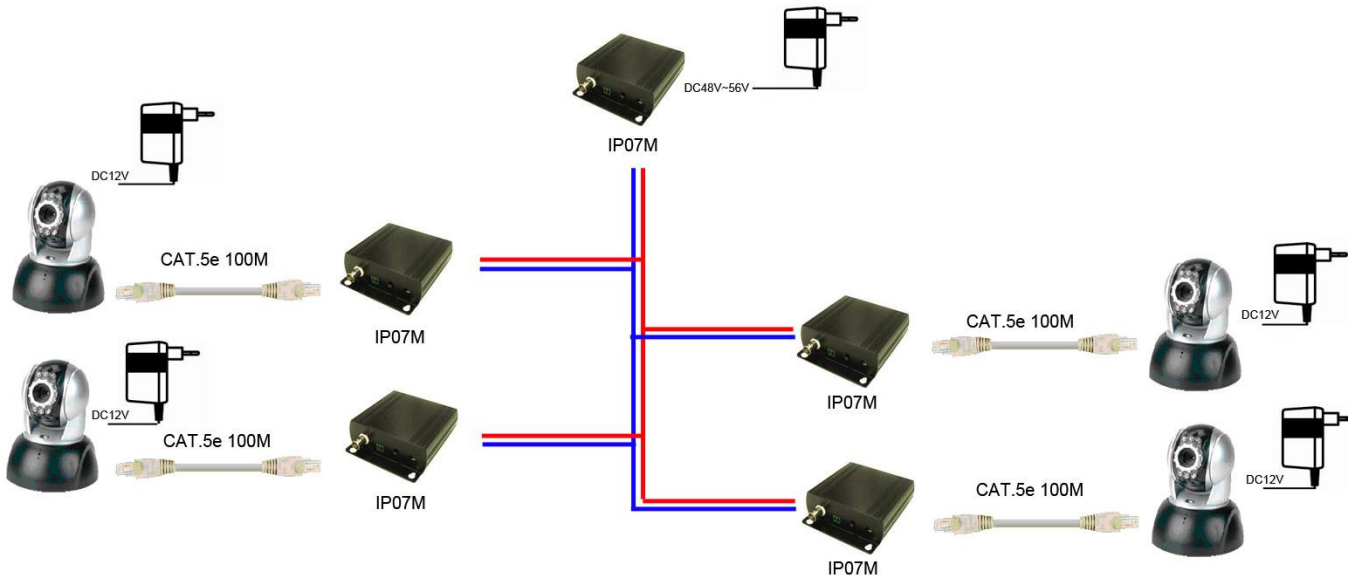
One Camera Point to Point Application



Four IP camera Series Application



Four IP camera Star configure Application



Four IP camera Circle configure Application



Different Coax/ Two Wire Cables Distance Chart for Reference:

Please note the cable quality, length and diameter of two wires used all have an influence on the transfer of Data and the Power output.

Power Input DC 24V		
CABLE	Distance (Max)	Data Rate / Mbps
Telephone cable (0.65mm)	200-400M	74
UTP cable(CAT.5e)	600M	51
Coax Cable (RG59U)	500M	72
Coax Cable(RG6U)	500M	73

Power Input DC 48V			
CABLE	Distance (Max)	Data Rate / Mbps	DC 12V Output
Telephone cable (0.65mm)	200-400M	72	500mA
UTP cable(CAT.5e)	600M	53	500mA
Coax Cable (RG59U)	300M	68	1A
	1500M	11.2	X
Coax Cable(RG6U)	500M	73	1A

Power Input DC 56V			
CABLE	Distance (Max)	Data Rate / Mbps	DC 12V Output
Telephone cable (0.65mm)	200 ~ 400M	72	500mA
UTP cable(CAT.5e)	600M	55	1A
Coax Cable (RG59U)	500M	67	1A
	1300M	9.5	x
Coax Cable(RG6U)	700M	72	1A

※ Recommend external power adapter must use DC 24~56V .

LED Indication :

LED Indication	Status	Function
Power(Green)	ON	Power ON/OFF
RJ45 (Green/Yellow)	Green Flash	Under Linking
	Yellow ON	Linking and Data transmission

Recommend cable :

RG59/6U COAX cable, CAT5e/6/7 UTP cable, two wire cable, power cable.

Please note the cable quality, length and diameter of two wires used all have an influence on the transfer of Data and the Power output.

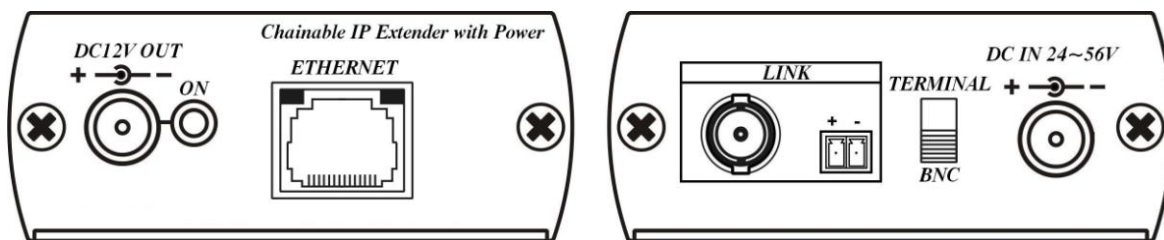
Slide Switch Function :

- BNC Use coax cable to send data and power
 TERMINAL Use two wire cable to send data and power

Caution:

1. Using two wire installation, please pay attention the wiring polarity.
2. When doing series or star installation to send IP with power, the power may not to support IP camera, please add external power adapter for each IP07M ◦
3. Using DC 24V power source only support IP camera with power DC12V output up to 100M (Max.)
4. The linking Coax cable or two wire cable all carried with power.
5. Power output will be varied based on the power source input.
6. The wiring must away from any equipment with electromagnetic wave in order to avoid transmission distance become shorter, i.e.: mobile phone, microwave, radio equipment, fluorescent lamp, power lines.

Panel View:



Package:

Model no: Contents

IP07M: IP07M x 1 unit, Screw pack x 1 bag, Rubber Pad x 1 bag

IP07MK : IP07M x 2 units, Screw pack x 1 bag, Rubber Pad x 1 bag

IP07MK-DC24V: IP07M x 2 units, DC24V power adapter x 1, Screw pack x 2, Rubber Pad x 2 bag

IP07MK-DC48V: IP07M x 2 units, DC48V power adapter x 1, Screw pack x 2, Rubber Pad x 2 bag

IP07MK-DC56V: IP07M x 2 units, DC56V power adapter x 1, Screw pack x 2, Rubber Pad x 2 bag

Optional Model (Order Separately) : Power Source

SWP241250: DC24V 30W power adapter

SWP480830: DC48V 40W power adapter

SWP55126: DC56V 70W power adapter

Specifications:

ITEM NO.	IP07M
Transmission Interface	TERMINAL BLOCK 2 Pin x 1、 BNC x 1
Power input/output	DC JACK 2.0mm x 2
Signal Output Selection	SLIDE SWITCH x 1
Ethernet Connector	RJ45 x 1
Ethernet Speed	10M /100 Mbps
Transmission Distance	1500 M (Max.)
Power Input	DC 24V ~ DC 56V
Power Output	DC 12V
Power Consumption	7W (Max)
Temperature	Operation: 0 to 55°C, Storage: -20 to 85°C, Humidity: up to 95%
Dimension mm	88 x 110 x 30 mm
Weight g	250 g

RoHS CE FC

Rev. A