

1. CF-PW150-6V automatic matching protection functions

CF-PW150-6V is provided with advanced systems, autoformer impedance compatible design and high acoustical quality for enjoyment. No matter you are using 4Ω or 8Ω speakers, CF-PW150-6V can automatic matching any constitutions (see Table 1). All speaker impedances are getting lower which become easy burning down input AMPLIFIER, because multiple speakers connect AMPLIFIER at the same time. Therefore, it is important to design autoformer impedance compatible.

4Ω Impedance Chart

Number of Speaker Playing	Impedance
1	32.0Ω
2	16.1Ω
3	10.3Ω
4	7.5Ω
5	5.9Ω
6	4.8Ω

8Ω Impedance Chart

Number of Speaker Playing	Impedance
1	55.0Ω
2	28.9Ω
3	19.1Ω
4	14.7Ω
5	11.7Ω
6	8.0Ω

Table 1

2. Capable of Selecting 2 Sets of AMPLIFIER Independently

CF-PW150-6V has 2 sets of AMPLIFIER input functions at the same time, and it also can select A or B AMPLIFIER independently; it can also have a six-mixing selection of A or B AMPLIFIER. Hence, you can randomly switch favor channels, extensively selections, for each room.

3. Switching ON/OFF Independently

CF-PW150-6V has ON/OFF switch functions for individual room. Therefore, you can listen or not listen, automatic switch OFF. Other rooms do not disturb you, but you can control your favor channels.

4. Capable of Control Channel Sound independently

CF-PW150-6V sound volume control has 9 steps and -33dB attenuation (as shown on the Table 2), and frequency responses (30~20KHz) which has ±2dB of deviation. The first section is OFF. Turn left to right in sequence as sound becomes louder. It can control sound volume steps independently for each room. Absolutely, you can complete enjoy high quality and tune sound quality that you are simply not disturbed by other rooms.

Switch Steps	1	2	3	4	5	6	7	8	9
Attenuation	OFF	-33dB	-27dB	-21dB	-15dB	-9dB	-6dB	-3dB	0dB

Table 2

5. Functions and Characteristics

- (1). Autoformer impedance compatible design as high quality sound effect.
- (2). Low electric power consumption, not easy generating heat.
- (3). High electric power uses 50W/channel (RMS) and 150W/channel (Music Power).
- (4). 4Ω and 8Ω can be used for speaker systems.
- (5). Push-type connector can load 16-22 AWG capacity of speaker cable.

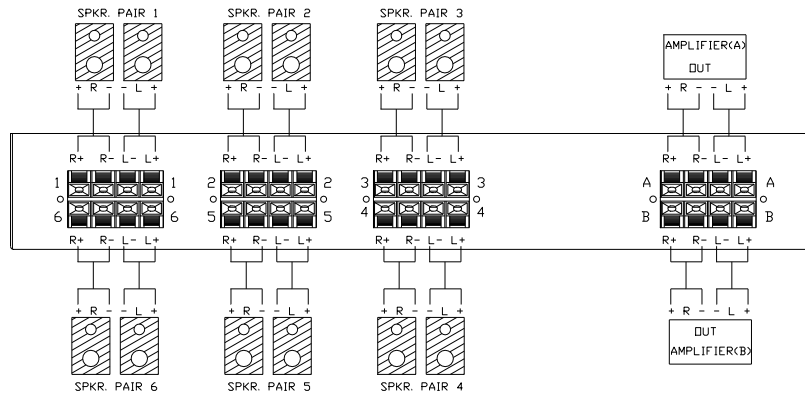
6. Installation

A description of AMPLIFIER and speakers connections as the below, it should remember that left and right circuit are separated. Therefore, a connector should use properly or systems should operate properly because each speaker selects A or B AMPLIFIER is independent. In short, it makes sure to connect + and -, and L and R channel has to be correct to avoid operating improperly.

7. Operations

CF-PW150-6V operation method is very easy. First all, it can input A or B AMPLIFIER, 6 independent sets of A or B switch selection, and pressing down A/B switch selection as B AMPLIFIER, and pressing up A/B switch selection as A AMPLIFIER at the same time. Moreover, 6 sets of ON/OFF function selection are independent, pressing down as ON and pressing up as OFF. There are 6 sets of sound level control and OFF function independently, turning the first step as OFF and sound level control from left to right. Sound levels will follow switch level getting louder and enjoying high quality sound. Please remember that CF-PW150-6V is an automatic impedance compatible design. Therefore, it should be correctly input, no matter what kind of combination is.

A Wiring Diagram

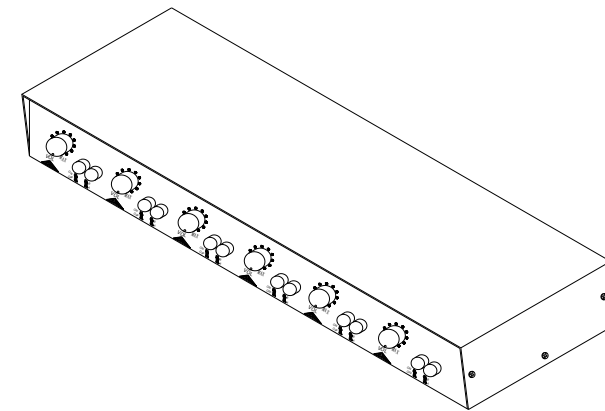


Notes:

1. The amplifiers with capability of handling 4ohms or below are recommended.
2. Any bridged amplifiers (external or internal) are not recommended to be used with this speaker selector.
3. **Avoiding damage caused by improper volume setting, we suggest the amplifier/receiver should be at its lowest volume level and the selector at highest volume level. Then slowly adjust the amplifier/receiver volume to an acceptable level without clipping or distortion!**

Six Pairs Speaker Selector

MODEL: CF-PW150-6V



Owners Manual