

# Video Converter for CCTV

## AD001HDE HD-TVI/AHD/HDCVI/CVBS to HDMI/VGA/CVBS Selection Converter



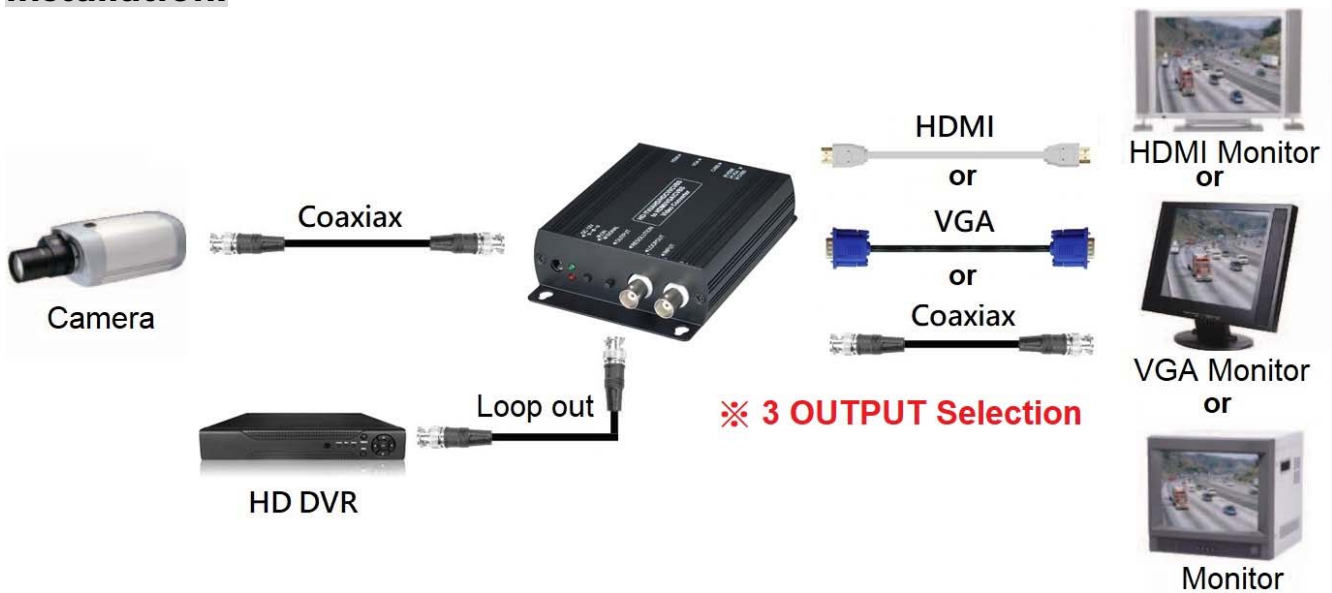
AD001HDE support 4 analog cameras: HD-TVI/AHD/HDCVI/CVBS, convert signal to HDMI or VGA or Composite Video (Selection) or loop out which enabling users to use cost effective HDMI/VGA/BNC m

onitor to display all HD analog or regular analog camera.

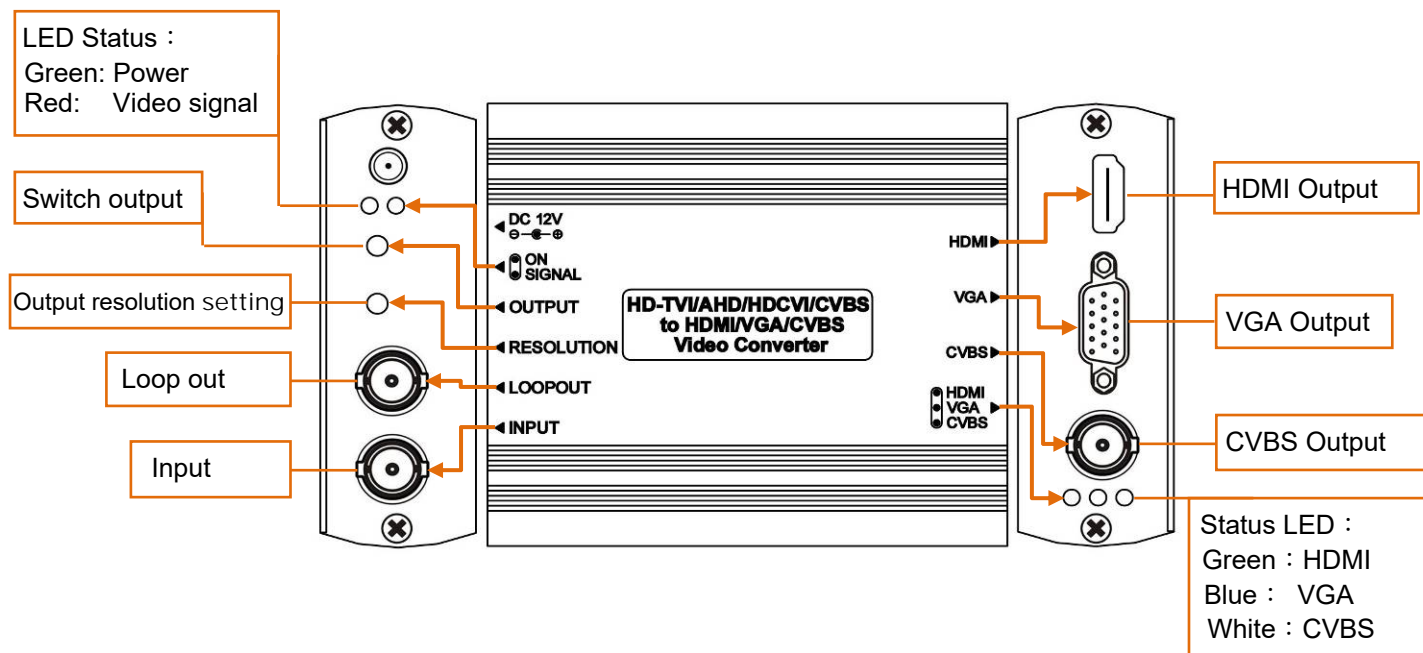
### Features:

- Converts HD-TVI/AHD/HDCVI/NTSC/PAL/960Hsignal to HDMI or VGA or Composite Video.
- Input support: HD-TVI/AHD/HDCVI support: 720p@25/30/50/60, 1080p@25/30Hz.
- Output support: selection HDM or VGA or Composite Video
- Built in loop out.

### Installation:



## LED Status, Button Function:



1. Switch output : HDMI 、 CVBS 、 VGA (Selection one output only)
2. Switching output resolution :  
HDMI : 720p/60 、 1080p/60  
CVBS : NTSC 、 PAL  
VGA : 800x600/60 、 1024x768/60 、 1280x720/60 、 1280x1024/60 、 1360x768/60 、 1440x900/60 、 1600x1200/60 、 1680x1050/60 、 1920x1080/60
3. No input signal detected: There is a color stripe on screen, OSD will be display "No Signal".

## Specification:

ITEM NO	AD001HDE
Video Input	HD-TVI / AHD / HDCVI 720p@25/30/50/60Hz 、 1080p@25/30Hz 、 NTSC 、 PAL 、 960H
Video Output	HDMI : 720p/60 、 1080p/60 VGA : 800x600/60 、 1024x768/60 、 1280x720/60 、 1280x1024/60 、 1360x768/60 、 1440x900/60 、 1600x1200/60 、 1680x1050/60 、 1920x1080/60 CVBS : NTSC 、 PAL
Input Connector	BNC (75Ω 1Vpp) x 1
Loop Connector	BNC (75Ω 1Vpp) x 1
Output Interface	HDMI Type-A x 1 、 D-SUB 15 x 1 、 BNC (75Ω 1Vpp) x 1
Switch	Tact Switch x 2
Power Supply	12V 500mA
Power Consumption	250mA (Max)
Temperature	Operation: 0 to 55°C, Storage: -20 to 85°C, Humidity: up to 95%
Dimension mm	88 x 130 x 30
Weight g	270