

4K HDMI CAT5e Distribution Extender

ITEM NO.:

HE03T-4K 4K HDMI CAT5e Extender – Transmitter

HE03R-4K 4K HDMI CAT5e Extender - Receiver

HE03LR-4K 4K HDMI 1 in 3 Out Extender with Chainable Receiver

Features:

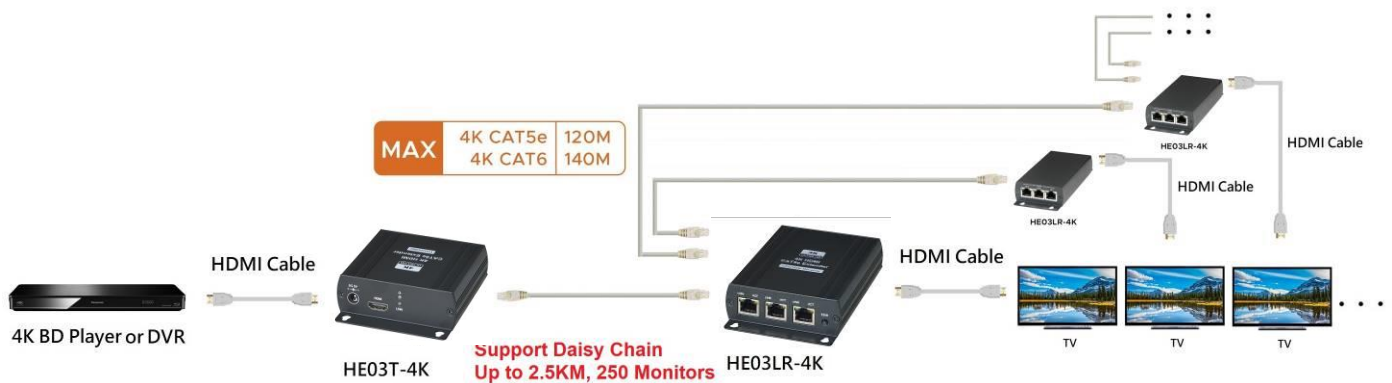
- Extends 4K UHD HDMI signal over one CAT5e/6 cable.
- Support resolution up to 1080P@60hz, 4K@30hz 4:4:4.
- HDCP 1.4 compliant.
- Audio support up to LPCM7.1@192Khz.
- Transmission range up to 120M over CAT5e, 140M over CAT6.
- Two receiver for option: HE03R-4K , HE03LR-4K
- HE03LR-4K: HDMI CAT5e receiver built in 1 x HDMI output and 2 x RJ45 output. Allow to chainable to another HE03LR-4K for longer distance and multiple displays.
- HE03LR receiver could be chainable up to 250 displays, distance with 2.5KM max.
- Plug and play for easy operation.
- Optional model: SR01 signal repeater for longer distance application.

Installation view:

Point to Point application

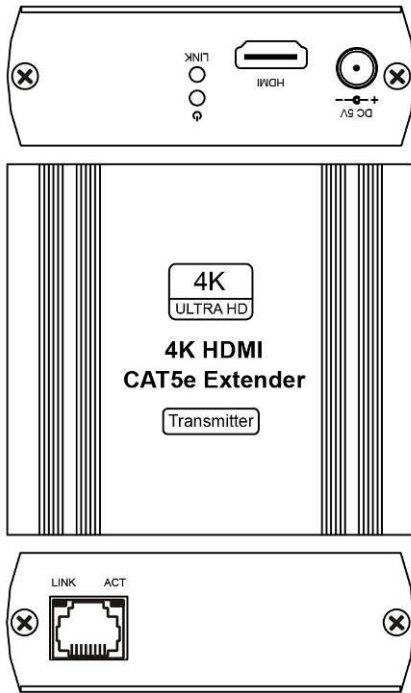


One to Multiple Display application By Daisy chain

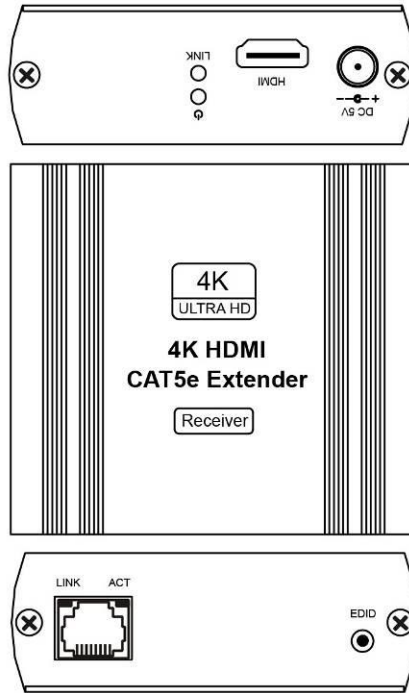


Panel view:

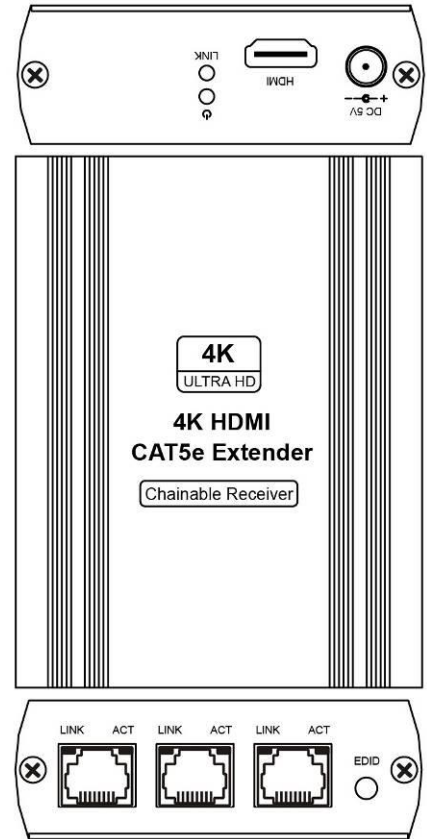
HE03T-4K



HE03R-4K



HE03LR-4K



LED Indication Instruction:

Position	Color	Instruction
Front Panel	Green	Power on/off
Front Panel	Blue	TX/RX Linked
RJ45	Green	CAT5e Linked
RJ45	Yellow	Data Transmission

Button Define :

HE03R-4K / HE03LR-4K

Button	Function
Short press	Display MAC · IP
Long press 2 seconds	Copy receiver monitor EDID to transmitter.

RJ45 Define :

Link Cable (use TIA/EIA-568-B)

- | | |
|-----------------|----------|
| 1. Orange-white | Data 1 + |
| 2. Orange | Data 1 - |
| 3. Green-white | Data 2 + |
| 4. Blue | Data 3 + |
| 5. Blue-white | Data 3 - |
| 6. Green | Data 2 - |
| 7. Brown-white | Data 4 + |
| 8. Brown | Data 4 - |

Cable:

Link cable recommend use high quality CAT5e, CAT6 UTP/STP/FTP cable. The max working distance is 140M (Max) over CAT6. Poor quality cable or network connection or improper construction will cause unstable connection, video or sound disruptions, picture noise appears.

Caution:

The cabling must away from any equipment with electromagnetic wave, i.e.: microwave, radio equipment, high voltage.

Trouble Shooting:

1. HE03-4K transmission data rate up to 850Mbps Max.
2. Do not recommend to connect general LAN to avoid large video data transmission slow down other LAN devices. °
3. When connect with Gigabit Switch, make sure to turn off EEE (Energy-Efficient Ethernet).

Specification:

ITEM	HE03T-4K	HE03R-4K	HE03LR-4K
Copper Distance	CAT.5e 120M/ CAT.6 140M,		
HDMI Video Support	1080P@60hz, 4K UHD 4:4:4 @ 30Hz		
HDCP Compliant	HDCP 1.4		
HDMI Audio Support	Up to 7.1 LPCM 192KHz		
HDMI Input	HDMI Type-A		
HDMI Output		HDMI Type-A	
Ethernet	Gigabit RJ45 x 1		Gigabit RJ45 x 3
Power Consumption	400mA (Typical) 550mA (Max)	300mA (Typical) 960mA (Max)	600mA (Typical) 1400mA (Max)
Power Supply	DC 5V 2000mA		
Dimensions mm	88 x 110 x 30	88 x 110 x 30	88 x 145 x 30
Weight g	230	230	300

RoHS   

Rev. A