

KVM CAT5e Extender

ITEM NO: DKM01 DVI & USB with Audio, RS232, IR CAT5e Extender

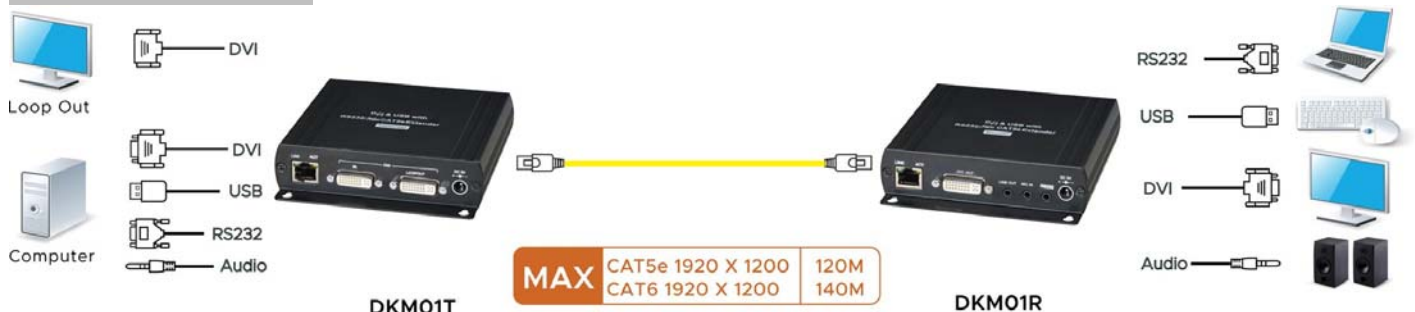
DKM01 DVI & USB with Analog audio, RS232 CAT5e/6 extender design for extend all signals over one CAT5e/6 up to 140 meters, transmitter unit with local DVI monitor output. It provides superior video quality up to 1920x1200 resolutions, and using cost effective CAT5e cable, instead of DVI, RS232 cables, for an easy, neater and reliable installation. It is optimized for applications at industrial control, hospital, education, security and system control over RS232 and USB.



Features:

- Extend DVI, USB, RS232, and Audio signals over one CAT5e/CAT6 cable.
- Transmission range up to 140M over CAT6, 120M over CAT5e.
- DVI video resolution up to 1920 x 1200@ 60Hz.
- HDCP 1.4 Compliant.
- DKM01T transmitter unit built-in DVI local loop output.
- Support 4 port of USB 2.0 extension compatible with 1.1, 1.0
- Support Stereo audio one directional, Mono audio one directional extension
- Support Bi-directional RS232 extension.
- Support EDID management.
- Receiver unit with 4 ports USB 2.0 devices, to extend USB 2.0 peripheral devices, such as flash drive, hard drive, mass storage device, keyboard, mouse, etc.
- Optional model:
SR01X signal repeater for longer distance application.
- Perfect for control remote machines and security monitoring systems, digital signage application.

Installation View:



Optional Model: SR01X Signal Repeater (order separately)

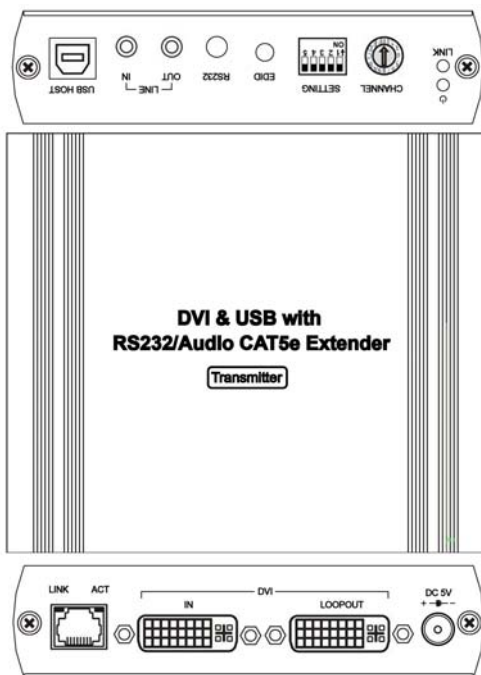
- Extend data signal for an additional 120meters.
- Application for DKM01 signals for extra-long range transmission.
- Ability to cascade connection with multiple SR01 for long range transmission
- Built in LED status indication.
- External power required.
- Plug and play for easy installation.

Work with DKM01 CAT5e Extender:

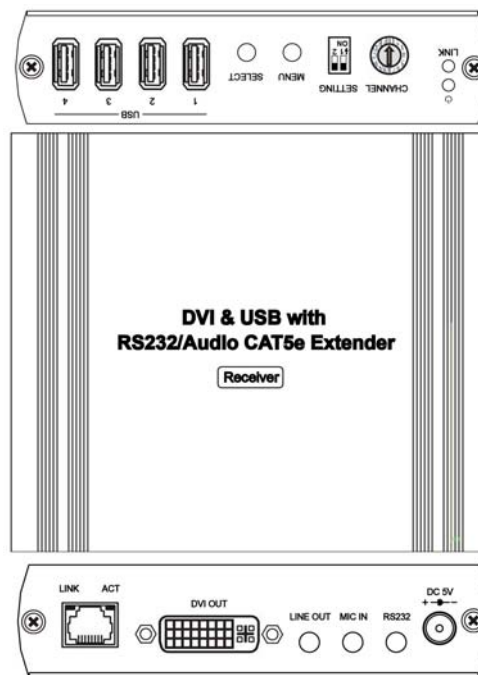


Panel Review:

DKM01TK :



DKM01R :



LED Indication Status:

Position	LED Color	Instruction
Front Panel	Green	Power on/off
Front Panel	Blue	Link on/off
RJ45	Green	RJ45 linking Indication
RJ45	Yellow	RJ45 Transmisison Indication (ACT)

Switch & Button:

DKM01T

SWITCH/BUTTON	FUNCTION	↑ OFF	↓ ON
1	Group	0	1
2	RS232	Extension Mode	Reserve
3		Extension Mode	Reserve
4	EDID Management	4 5 ↑↑ = Select Default 1080p EDID ↓↑ = Select Receiver Monitor EDID ↑↓ = Select Transmitter loop out Monitor EDID ↓↓ = Reserve	
5			
6	Reserve	Default	Reserve
EDID	Copy EDID	After setting Switch 4&5, press this button to copy EDID	

※Please remove the HDMI input cable of TX when select EDID from default, RX or TX loop out to avoid failure of copy.

DKM01R

SWITCH/BUTTON	FUNCTION	↑ OFF	↓ ON
1	Group	0	1
2	RS232	Extension Mode	Reserve
MENU	MENU	MAC, IP, Baudrate, Updated EDID	
Select	Select	115200, 57600, 38400, 19200, 14400, 9600, 4800, 2400, 1200	

Rotary Switch:



DKM01 built in rotary switch for pairing devices and the rotary switch can be used to switch 0-F channel pairing with group setting of switch 1. The channel number and group setting of the transmitter and receiver must be same to be connected each other, total up to 32 (16 for each group) pairs could be setup at one switch.

After setting the pairing and group, it must reset the power to make it work.

RJ45 Pin Define:

Link Cable (use TIA/EIA-568-B)

- | | |
|-----------------|----------|
| 1. Orange-white | Data 1 + |
| 2. Orange | Data 1 - |
| 3. Green-white | Data 2 + |
| 4. Blue | Data 3 + |
| 5. Blue-white | Data 3 - |
| 6. Green | Data 2 - |
| 7. Brown-white | Data 4 + |
| 8. Brown | Data 4 - |

Cable:

Link cable recommend use high quality CAT5e,CAT6 UTP/STP/FTP cable. The max working distance is 140M (Max) over CAT6. Poor quality cable or network connection or improper construction will cause unstable connection, video or sound disruptions, picture noise appears.

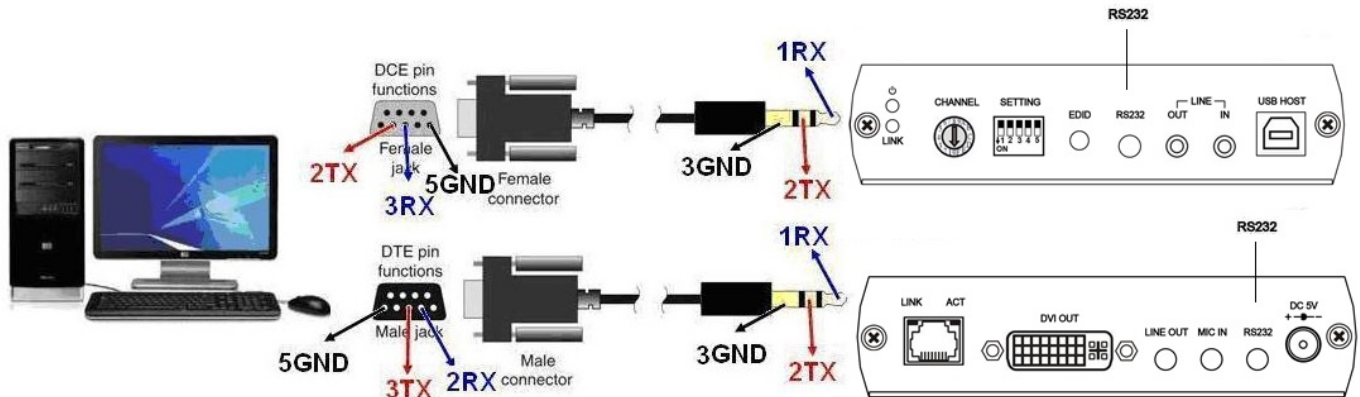
For longer distance application could be use model no: SR01 for extend longer distance or add a Gigabit Switch.

RS232 Baud Rate Setting:

RS232 Default Baud rate is 115200bps. If need to change data rate, press menu button at the receiver unit to select Baud rate menu, then press select button to select the data rate and press menu button again to confirm and completed the Baud rate setting.

RS232 Define:

DB9 (M)/3.5mm STEREO PHONE JACK Cable (Optional Order)



DB9 (F)/3.5mm STEREO PHONE JACK

RS232		3.5 mm Phone Jack	
Footprint	Define	Footprint	Define
Pin 2	TX	Pin 1	RX
Pin 3	RX	Pin 2	TX
Pin 5	GND	Pin 3	GND

DB9 (M)/3.5mm STEREO PHONE JACK

RS232		3.5 mm Phone Jack	
Footprint	Define	Footprint	Define
Pin 2	RX	Pin 1	RX
Pin 3	TX	Pin 2	TX
Pin 5	GND	Pin 3	GND

Trouble Shooting:

- DKM01 transmission data rate up to 850Mbps Max.
- Do not recommend to connect general LAN to avoid large video data transmission slow down other LAN devices.
- Default transmitter EDID is 1080p, you could copy remote/loop out monitor EDID from TX, **please remove the HDMI input cable of TX when select EDID from default, RX or TX loop out to avoid failure of copy.**
- RX analog audio input (MIC IN) is mono for microphone use only, not stereo audio (Line in)
- RX USB port each max power output is 500mA, 4 port USB total output up to 1500mA.

Package Include:

DKM01T Transmitter	x 1
DKM01R Receiver	x 1
USB A to B cable	x 1
DB9 male to 3.5mm phone jack cable	x 1
DB9 female to 3.5mm phone jack cable	x 1
DC 5V 2Amp power adapter	x 2

Specification:

ITEM NO.	DKM01T	DKM01R
Support Resolution	Up to 1920 x1200@60Hz (Reduced Blanking)	
Transmission Distance	CAT5e : 120M / CAT6 : 140M (Max)	
HDCP Compliant	HDCP 1.4	
DVI Input	DVI-I (only support Digital Signal)	x
DVI Output	DVI-I (only support Digital Signal)	
Analog Audio Input	Input: Line In, 3.5mm Stereo Phone Jack	Input: Mic In, 3.5mm Mono Phone Jack
Analog Audio Output	Output: 3.5mm Stereo Phone Jack	
USB Connector	USB 2.0 Type B x 1	USB Type A x 4
RS232 Connector	3.5mm Phone Jack x 1 (not support hardware handshake)	
Ethernet Interface	RJ45 x 1	
Power Supply	DC 5V 2000mA	
Power Consumption	1000mA (Max)	400mA (Max, without USB Device)
Temperature	Operation:-20 to 60°C, Storage: -20 TO 85°C, Humidity: up to 95%	
Dimensions mm	125 x 140 x 30	
Weight g	400	385

RoHS   

Rev.A 200919