

# IR Housing Camera

4M, WDR, STARVIS, IR(70m)

## DMC-404GC

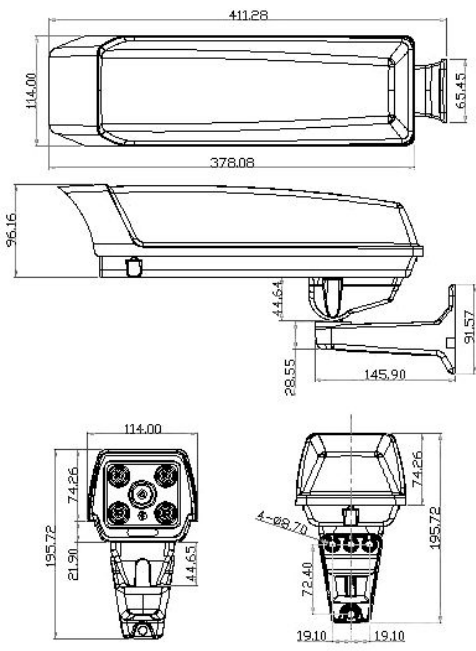
### Picture



### Feature

- 1/2.9" Sony PS **STARVIS** CMOS
- 4Megapixel EX-SDI 1.0 Format
- Day/Night with ICR
- Min 0.003Lux with Sens-Up (32x)
- True WDR (30fps), 3DNR, Defog, OSD
- Motion Detection, Privacy Masking, Digital Zoom(16x)
- EX-SDI1 Max. Transmission distance 400m with 5CHFBT
- UTC(When using All Hybrid DVR of D-max)
- Multi Languages (English/Chinese/Korea/Japanese)
- 2.8~12mm DC Iris Mega Lens
- Built-In High Power IR 4 EA (Visible Distance: 70M)
- Weather-proof, Concealed bracket
- Optional: 2Motors(2.7~12mm)

MODEL	DMC-404GC
<b>Video</b>	
Image Sensor	1/2.9" 6.87Mega PS-Sony CMOS
Scan mode	Progressive Scan
Total number of pixels	3096(H) x 2218(V)
Number of active pixels	3096(H) x 1764(V)
Resolution	QHD(4M)
Minimum illumination	Color:0.1Lux, 0.003Lux with Sense-up(32x), LED On:0Lux
Video Output	EX-SDI
S/N Ratio	More than 50dB (AGC Off)
<b>Lens</b>	
Lens	2.8 ~ 12mm MP DC Auto Iris Lens H:61.5°(W)~20.5°(T),V:61.9°(W)~20.6°(T),D:90.1°(W)~29.1°(T) 2 Motor(Optional): 2.7mm ~ 12mm MP DC Auto Iris Lens H:65.1°(W)~20.5°(T),V:65.5°(W)~20.6°(T), D:95.3°(W)~29.1°(T)
Iris	DC Auto Iris
<b>Function</b>	
Day & Night	Auto / Color / BW / EXT
White Balance	ATW/AUTO ext/PRESET/MANUAL
AGC	Level (0~10)
DNR	Off / Low / Middle / High
Mirror / Flip	Off / On
Privacy Zone / Motion	Box(16Zones),Polygon(8Zones) /4Zones
Brightness	Level (0~20)
Shutter	Auto/Manual(1/30/25~1/30000)/FLICKER
Back light	HLC/WDR(120dB)/BLC
Defog	On/Off
<b>IR LED</b>	
LEDs	High Power 4LEDs (850nm)
Visible Distance	70m
<b>Environment</b>	
Operating Humidity	30 % ~ 90 % RH
Operating Temp.	-30°C~60°C(-22°F~140°F)
<b>Electrical</b>	
Power Consumption	Max 18 W
Power Supply	DC12V±10
<b>Mechanical</b>	
Construction	Aluminum body, Glass Window
Dimension	114mm(W) X 96.18mm(H) X 378.08(L)mm
Weight	About 1.5Kg



Unit: mm