

IR Dome Camera

4M, WDR, STARVIS, 30IR

DHS-4030PHD

Picture



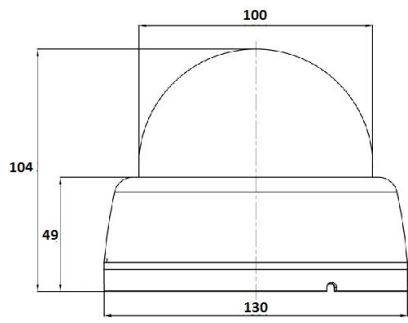
Feature

- 1/2.9" Sony PS **STARVIS** CMOS
- 4Megapixel TVI/AHD Hybrid format
- Day/Night with ICR
- Min 0.003Lux with Sens-Up (32x), LED On:0Lux
- True WDR (30fps), 3DNR, Defog, OSD
- Motion Detection, Privacy Masking, Digital Zoom(16x)
- Multi Languages (English/Chinese/Korea/Japanese)
- 4mm Fixed Mega Lens
- Built-In High Effective IR30EA (Visible Distance: 30M)
- 3Axis, Indoor Type
- Optional: Dual Voltage

Dimensions

Specifications

MODEL	DHS-4030PHD
Video	
Image Sensor	1/2.9" 6.87Mega PS-Sony CMOS
Scan mode	Progressive Scan
Total number of pixels	3096(H) × 2218(V)
Number of active pixels	3096(H) × 1764(V)
Resolution	QHD(4M)
Minimum illumination	Color:0.1Lux, 0.003Lux with Sense-up(32x), LED On:0Lux
Video Output	AHD or TVI
S/N Ratio	More than 50dB (AGC Off)
Lens	
Lens	4mm Fixed Mega Pixel Lens H: 51.4°, V: 51.7°, D: 74.7°
Iris	Electric Iris
Function	
Day & Night	Auto / Color / BW / EXT
White Balance	ATW/AUTO ext/PRESET/MANUAL
AGC	Level (0~10)
DNR	Off / Low / Middle / High
Mirror / Flip	Off / On
Privacy Zone / Motion	Box(16Zones),Polygon(8Zones) /4Zones
Brightness	Level (0~20)
Shutter	Auto/Manual(1/30/25~1/30000)/FLICKER
Back light	HLC/WDR(120dB)/BLC
Defog	On/Off
IR LED	
LEDs	30 LEDs (850nm)
Visible Distance	30m
Environment	
Operating Humidity	30 % ~ 90 % RH
Operating Temp.	- 10°C to 50°(14°Fto122°F)
Electrical	
Power Consumption	Max 5.4W
Power Supply	DC12V±10%, Dual Type: AC24/DC12V(Optional)
Mechanical	
Construction	Plastic Body, PC bubble
Dimension	130(W)X104(H)mm
Weight	About 0.5Kg



Unit: mm