

IR Housing Camera

4M, WDR, STARVIS, IR(70m)

DHS-404GHD

Picture



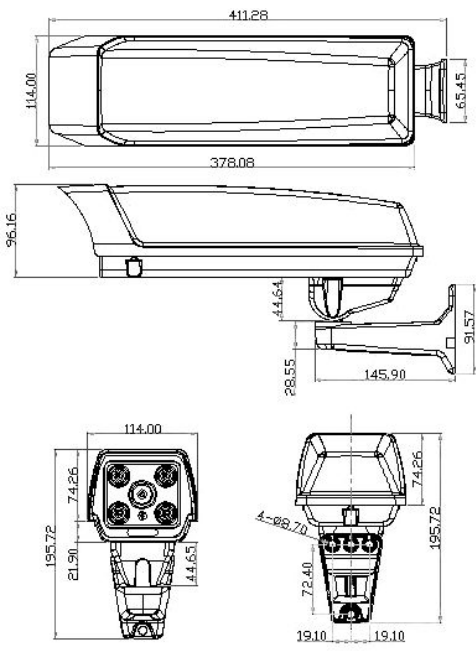
Feature

- 1/2.9" Sony PS **STARVIS** CMOS
- 4Megapixel TVI/AHD Hybrid format
- Day/Night with ICR
- Min 0.003Lux with Sens-Up (32x), LED On:0Lux
- True WDR (30fps), 3DNR, Defog, OSD
- Motion Detection, Privacy Masking, Digital Zoom(16x)
- Multi Languages (English/Chinese/Korea/Japanese)
- 2.8~12mm DC Iris Mega Lens
- Built-In High Power IR 4 EA (Visible Distance: 70M)
- Weather-proof, Concealed bracket
- Optional: 2Motors(2.7~12mm)

Dimensions

Specifications

| MODEL | DHS-404GHD |
|-------------------------|--|
| Video | |
| Image Sensor | 1/2.9" 6.87Mega PS-Sony CMOS |
| Scan mode | Progressive Scan |
| Total number of pixels | 3096(H) × 2218(V) |
| Number of active pixels | 3096(H) x 1764(V) |
| Resolution | QHD(4M) |
| Minimum illumination | Color:0.1Lux, 0.003Lux with Sense-up(32x), LED On:0Lux |
| Video Output | AHD or TVI |
| S/N Ratio | More than 50dB (AGC Off) |
| Lens | |
| Lens | 2.8 ~ 12mm MP DC Auto Iris Lens H:61.5°(W)~20.5°(T),V:61.9°(W)~20.6°(T),D:90.1°(W)~29.1°(T) 2 Motor(Optional): 2.7mm ~ 12mm MP DC Auto Iris Lens H:65.1°(W)~20.5°(T),V:65.5°(W)~20.6°(T), D:95.3°(W)~29.1°(T) |
| Iris | DC Auto Iris |
| Function | |
| Day & Night | Auto / Color / BW / EXT |
| White Balance | ATW/AUTO ext/PRESET/MANUAL |
| AGC | Level (0~10) |
| DNR | Off / Low / Middle / High |
| Mirror / Flip | Off / On |
| Privacy Zone / Motion | Box(16Zones),Polygon(8Zones) /4Zones |
| Brightness | Level (0~20) |
| Shutter | Auto/Manual(1/30/25~1/30000)/FLICKER |
| Back light | HLC/WDR(120dB)/BLC |
| Defog | On/Off |
| IR LED | |
| LEDs | High Power 4LEDs (850nm) |
| Visible Distance | 70m |
| Environment | |
| Operating Humidity | 30 % ~ 90 % RH |
| Operating Temp. | -30°C~60°C(-22°F~140°F) |
| Electrical | |
| Power Consumption | Max 18W |
| Power Supply | DC12V±10 |
| Mechanical | |
| Construction | Aluminum body, Glass Window |
| Dimension | 114mm(W) X 96.18mm(H) X 378.08(L)mm |
| Weight | About 1.5Kg |



Unit: mm