

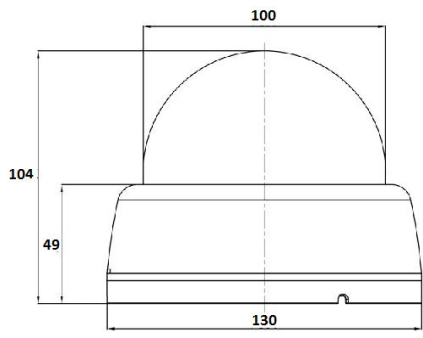
H.264D

DMC-8030PVZW



- 1/2.5" Sony 8.29M Pixels STARVIS CMOS
- High Performance Dual Streaming (Up to 30fps@4K)
- Low up to 0.01Lux(LED On:0Lux), Noise Reduction (2D/3D)
- Day/Night with ICR, 30IR(IR Distance 30m)
- 3.6~11mm 4K DC Auto Iris Lens
- Motion Detection (4), Privacy Masking (8), Digital Zoom (16x)
- Defog, WDR, HLC, LDC (Lens Distortion Correction), Corridor
- Audio (1/1), Alarm (1/1), SD Slot
- ONVIF, DDNS, DHCP, CMS, Web Browser, Smart Phone
- Option: POE

MODEL	DMC-8030PVZW
Video	
Image Sensor	Sony 1/2.5" 8.29Megapixel CMOS Sensor
Scan mode	Progressive Scan
Number of effective pixels	3840(H) x 2160(V) approx. 8.29M pixels
Minimum illumination	Color:0.1Lux, 0.01Lux with Sens-Up(10x)/F1.2, 50IRE,
Day & Night	Day & Night with ICR (TDN)
S/N Ratio	More than 54dB (AGC Off)
Lens	
Lens	3.6 ~ 11mm 4K Varifocal Lens H:90°(T)-37.6°(W), V:49.4°(T)-21.5°(W), D:104°(T)-43.3°(W)
Iris	DC Auto Iris
Network	
Video Compression	H.265, H.264, MJPEG
H.265 Profile	H.265 Main profile/H.264 Baseline,Main,High Profile
Ethernet	RJ-45(10/100BASE-T)
Frame Rate	3840x2160(4K), 2592x1944(5M), 2048x1536(QXGA), 1920x1080(Full-HD), 1280x1024(SXGA), 1280x720(HD), 704x480(4CIF/NT), 704x576(4CIF/PAL), 640x480(VGA), 352x288(CIF), 320x240(QVGA)
Video Frame Rate	Up to 30fps@3840x2160
Bitrate Control	CBR or VBR(100K~12Mbps)
Audio	Audio In(1), Audio Out(1),8 bit PCM (G711 u-law) 8Khz, Mono
Client Viewer	SDHC/SDXC
Max. User Connection	Continuous / Event (Motion, Trigger, Alarm)
Network Protocol	Alarm In: Onboot/Trigger/Network Loss/Tampering/Motion Event Output :E-mail, FTP
Function	
Auto White Balance Mode	ATW-Indoor/Outdoor, Shade, Clear sky, Fluorescent light, Light bulb, Flame, Manual
Auto Exposure Mode	Automatic (Priority: Frame rate/Low noise), Manual
Gain Control	Automatic, Manual: Min. 1.2dB ~ Max. 54dB, Default 1.2dB
DNR	Off / Level Setting
Back Light	HLC, BLC, WDR(120dB)
Defog/LDC/Mirror/Flip	On/ Off
Privacy / Motion	8 Zones / 4 Zone
Alarm	1in/ 1out
IR	30m (30 IR LEDs)
Environment	
Operating Humidity	30 % ~ 90 % RH
Operating Temp.	- 10°C to 60°(-14°~140°F)
Electrical	
Power Consumption	Max 7.5W
Power Supply	DC12V±10,
Mechanical	
Construction	Plastic Body, PC bubble
Dimension	130(W)X104(H)mm
Weight	About 0.5Kg



Unit: mm