

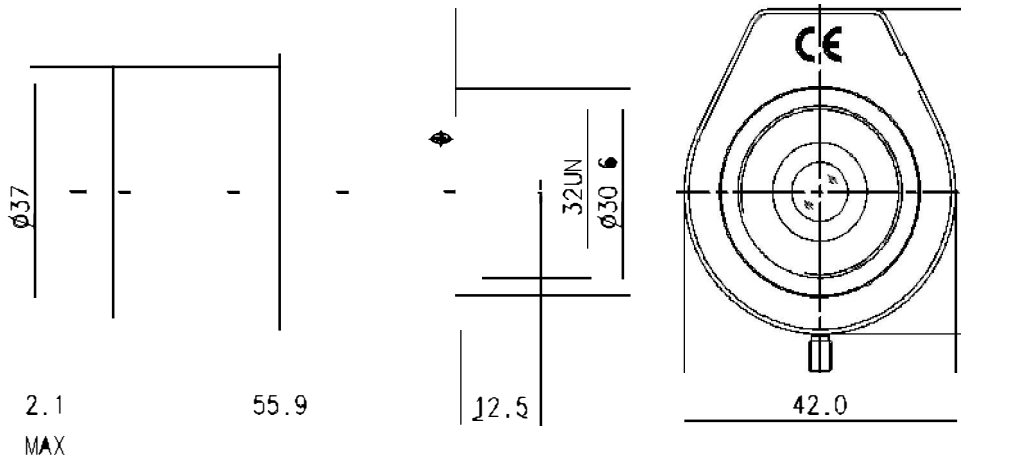
SCVHM4012D AS IR

f = 4.0 ~ 12.0 mm F1.4 ~ 360 VARIFOCAL (MEGA-PIXEL) (INFRARED)

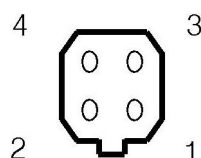
For 1/2" Format Camera

Model No.	SCVHM4012D AS IR		Effective Lens Aperture	Front	Ø23.5mm		
Focal Length	4.0 ~ 12.0 mm			Rear	Ø8.7mm		
Max. Aperture Ratio	1 : 1.4 ~ 360		Back Focal Length		8.3 ~ 17.5mm		
Max. Image Format (H X V)	6.4 X 4.8		Flange Back Length		12.5mm		
Operation	Iris	Auto(F1.4 ~ 360)		Mount		CS (1"-32 UNF)	
	Focus	Manual		Dimensions (L X W X H)		58.0 X 42.0 X 48.0	
	Zoom	Manual		Weight		110.5g	
Object Size at 50cm (H X V)	4.0 mm	1/2" 103.5 X 67.6cm		1/3" 67.6 X 47.4cm		1/4" 47.4 X 34.3cm	
	12.0 mm	28.0 X 20.8cm		20.8 X 15.5cm		5.5 X 11.7cm	
Angle of View	D	1/2"	116.8° ~ 39.0°	1/3"	85.9° ~ 29.3°	1/4"	63.7° ~ 22.0°
	H		92.0° ~ 31.3°		68.1° ~ 23.5°		50.7° ~ 17.6°
	V		68.1° ~ 23.5°		50.7° ~ 17.6°		37.9° ~ 13.2°
Iris Coil	Drive Control	190Ω		Operating Voltage	Open	4.0V	
		850Ω			Close	0.5V	
Operating Temperature	-10°C ~ +50°C						

Dimension



Wiring Diagram



Unit

1	RED	CONTROL (-)
2	BLACK	CONTROL (+)
3	WHITE	DRIVE (+)
4	GREEN	DRIVE (-)