

2M Hybrid IR Speed Dome Camera

30x, TVI/AHD, WDR, 1080p

DHC-322SEITA

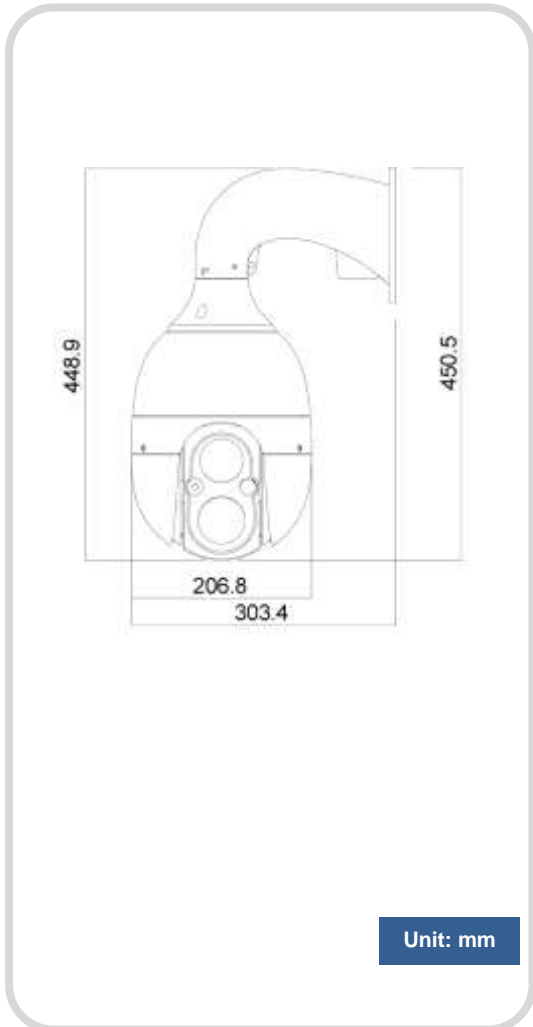
◆ Picture



◆ Feature

- 1/2.8" PS-Sony Exmor CMOS
- 2Megapixel Hybrid (TVI&AHD) Speed Dome Camera
- Optical 30x Zoom (4.3~129mm), Digital Zoom (20x), Total 600x Zoom , Day & Night with ICR, Defog, WDR
- Low up to 0.00001Lux with DSS (LED On:0Lux)
- Motion Detection, Privacy Masking (8), DNR, UTC
- Preset (250), Group (12), Tour, Trace, Weather Proof (IP66), Alarm (4/1) Time Schedule, LED compulsion On/Off
- Dehumidification, Use Password
- Max. IR Distance 150m (2 IR LEDs with a Motorized Zoom LED)

◆ Dimensions



◆ Specifications

MODEL	DHC-322SEITA
Video	
Image Sensor	1/2.8" 2Mega Sony Exmor CMOS
Scan mode	Progressive Scan
Number of active pixels	1944(H) × 1104 (V) = 2,146,176(pixel)
Resolution	1080p
Minimum illumination	0.00001 @ F1.6 (AGC 30, Sens-up x32) LED On: 0Lux
Video Output	Main: TVI/AHD Selectable Sub: CVBS
S/N Ratio	More than 52dB
Lens	
Lens	4.3~129mm(F1.6~F5.0) Optical(30x), Digital Zoom(20x), Total Zoom (600x)
Focus mode	Auto / Manual / Oneshot
Angle of view	H:65.1°(Wide)~2.34°(Tele)
Pan/ Tilt	
Pan/Tilt angle	360° Endless / 92°
Pan Speed	0.1° ~ 240°/sec (64 Levels), Preset: 360°/sec
Preset point	250 Presets
Alarm in/out	4 Inputs / 1 Relay Output
Function	
Day & Night	Day / Auto Slow / Auto fast / Night
Back Light	WDR / HLC / BLC
White Balance	ATW / Auto/ Indoor / Outdoor
AGC	Low/Middle/Max/Off
DNR	Low/Middle/Max/Off
Privacy / Motion	8 Zones / 1 Zones
Brightness	Level Setting
Color Level	Level Setting
Stibilize	On/Off
Dehumidification	Available
Defog	Off / Low / Middle / Max
UTC	TVI Only
Time Schedule	Available
IR Distance	150m: IR LED 1pcs and 1pcs with motorized)
Environment	
Operating Humidity	30 % ~ 90 % RH
Operating Temp.	- 40°C to 50°
Electrical	
Power Consumption	Max 40W
Power Supply	AC24V, 50/60Hz
Mechanical	
Construction	Aluminum body
Dimension	206.8(W)X450.5(H)mm
Weight	About 8.6Kg