

4CH DVR

H.264, Hybrid(960H+TVI)

DVR-9604H

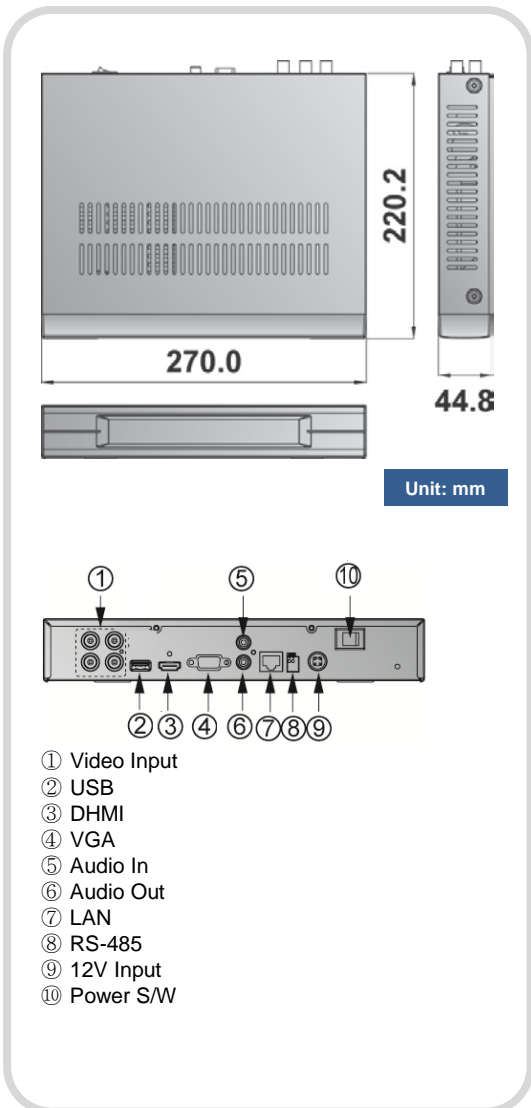
◆ Picture



◆ Feature

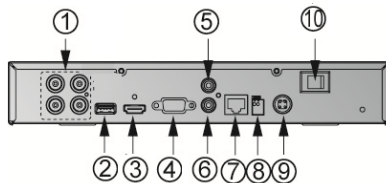
- H.264 video & G.711u audio compression
- Hybrid DVR (960H & TVI camera input)
- Dual Stream(Main:720p(30fps), Sub: 960H(12fps),CIF(30fps)
- Recording: 960H & 720p (25/30fps), 1080p (12fps)
- HDMI and VGA output up to1920x1080P resolution
- Smartphone application for iPhone and Android phone
- Audio input(1ch)/output(1ch)
- UTC (TVI format Only): In case of using D-max TVI PTZ Camera, you can control it without any data cable.
- RS-485 for PTZ camera, Digital Zoom(Live/playback)
- Support 1HDD(4TB capacity)

◆ Dimensions



◆ Specifications

Model		DVR-9604H
Operating System		Embedded Linux
Video	Input	4CH TVI or composite Video BNC
	Output Resolution	1VGA Output, 1HDMI : 1920x1080,1280x1024,1280x720,1027x768
Audio	Input	1CH Input/1CHOutput
	Output	
Compression	Algorithm	H.264 for video, G.711u for audio
Operation	Pentaplex	Live, Recording, Playback, Backup, Remote access
Recording	Resolution	1080p(12fps)/720p(30fps)/WD1(30fps) /4CIF-QCIF(30fps)
	Mode	Schedule/Normal/Motion
Digital	Zoom	Live/Playback
Search	Speed	2x,4x,8x,16x
Backup	External	USB 2.0, Network backup
HDD	Management	SATA HDD (1)
Network	Protocol	Static IP, DHCP & DDNS, NTP, SMTP, NFS
	interface	10/100 Base - Tx Ethernet (RJ-45)
	Max connector	32 users
	Access Type	Smart Phone Application / Web Viewer / CMS
UTC		Available
PTZ	Pan/Tilt/Zoom	RS485
System Operation		Remote Controller, Mouse
Operation Temperature		0℃~40℃
Dimension		270mm(W) X 220.2mm(D) X 44.8mm(H)
Weight		1.5Kg
Power Consumption		Max. 10W
Power		DC12V 5A 50Hz/60Hz



- ① Video Input
- ② USB
- ③ DHMI
- ④ VGA
- ⑤ Audio In
- ⑥ Audio Out
- ⑦ LAN
- ⑧ RS-485
- ⑨ 12V Input
- ⑩ Power S/W