

TVI IR Eyeball Camera

1080P, 24IR

DTC-2024EHD

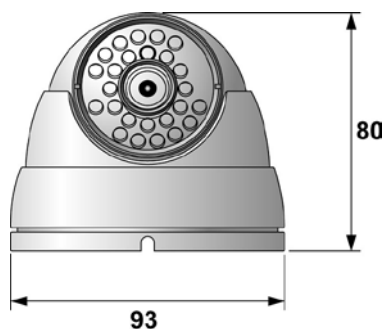
◆ Picture



◆ Feature

- 1/2.8" Sony PS-CMOS Exmor CMOS
- 2.4Megapixel (1080p) Display with TVI format
- Low up to 0.1Lux, LED on: 0Lux
- Day/Night with ICR, Auto DNR
- UTC (Up to Coaxial)
- Max. Transmission distance (300m) via coaxial cable
- IR Distance 15m with High Effective 24 LEDs
- 3.6mm Fixed Lens
- Indoor/Outdoor Type

◆ Dimensions



Unit: mm

◆ Specifications

MODEL	DTC-2024EHD
Video	
Image Sensor	1/2.8" 2.4Mega(1080p) PS-Sony CMOS
Scan mode	Progressive Scan
Total number of pixels	2000(H) x 1241(V)
Number of active pixels	1984(H) x 1097 (V)
Resolution	1100 TVL
Minimum illumination	0.1Lux, LED On:0Lux
Video Output	TVI
S/N Ratio	More than 50dB (AGC Off)
Lens	
Lens	3.6mm Lens
Iris	Electric Iris
Function	
Day & Night	Auto
White Balance	Auto
AGC	Auto
DNR	Auto
Shutter	Auto
IR LED	
LEDs	24 LEDs (850nm)
Visible Distance	15m
Environment	
Operating Humidity	30 % ~ 90 % RH
Operating Temp.	-30°C~-60°C(-22°F~140°F)
Electrical	
Power Consumption	Max 4.9W
Power Supply	DC12V±10%,
Mechanical	
Construction	Aluminum body , Glass Window
Dimension	93 mm(W) X 80mm(D)
Weight	About 0.45Kg