

# AHD IR Bullet Camera

# 1080P, 36 IR

## DAC-2036BIHD

### ◆ Picture

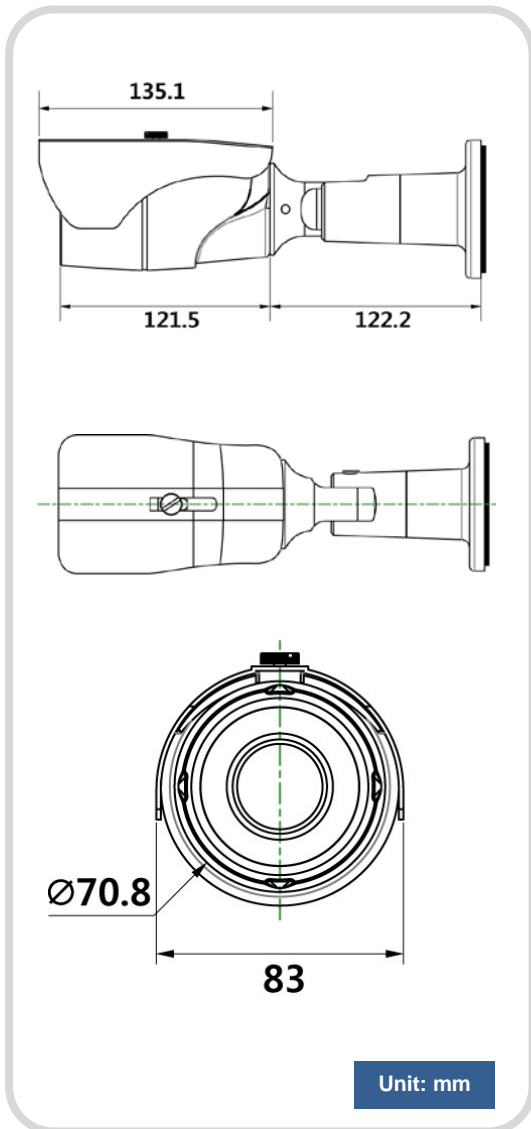


### ◆ Feature

- 1/2.8" Sony PS-CMOS Exmor CMOS
- 2.4Megapixel (1080p) Display with AHD format
- Low up to 0.0008Lux with Sens-Up (30x), IR On: 0Lux
- Motion Detection(4), Privacy Masking (4), Day/Night with ICR, DWDR
- 3DNR (Digital Noise Reduction), Defog, OSD
- Live Defect Detection & Correction
- Max. Transmission distance (300m) via coaxial cable
- Built-In High Effective IR 36 EA (Visible Distance: 30M)
- Multi Languages (English/Chinese/Germany/French/Italian/Spanish/Polish/Russian/Portuguese/Netherlands(Dutch)/Turkish)
- 2.8~12mm DC Auto Iris Lens
- Weather-proof , Outdoor Type

### ◆ Specifications

### ◆ Dimensions



MODEL	DAC-2036BIHD
<b>Video</b>	
Image Sensor	1/2.8" 2.4Mega(1080p) PS-Sony CMOS
Scan mode	Progressive Scan
Total number of pixels	2000(H) x 1241(V)
Number of active pixels	1984(H) x 1097 (V)
Resolution	1100 TVL
Minimum illumination	0.0008Lux with Sens-up(30x),LED On:0Lux
Video Output	AHD(2M) or CVBS(1280H)
S/N Ratio	More than 50dB (AGC Off)
<b>Lens</b>	
Lens	2.8 ~ 12mm MP DC Auto Iris Lens
Iris	DC Auto Iris
<b>Function</b>	
Day & Night	Auto / Color / BW / EXT
White Balance	ATW/AWC-set/INDOOR/OUTDOOR/Manual
AGC	1 -15
DNR	Off / Low / Middle / High
Mirror / Flip	Off / On
Privacy Zone / Motion	4 Zones / 4 Zones
Brightness	Level (1~100)
Shutter	Auto/Manual(1/30/25~1/50000)
Back light	HSBLC/D-WDR/BLC
Defog	On/Off
<b>IR LED</b>	
LEDs	36 LEDs (850nm)
Visible Distance	30m
<b>Environment</b>	
Operating Humidity	30 % ~ 90 % RH
Operating Temp.	-30°C~60°C(-22°F~140°F)
<b>Electrical</b>	
Power Consumption	Max 6.5W
Power Supply	DC12V±10%, Dual Type: AC24/DC12V(Optional)
<b>Mechanical</b>	
Construction	Aluminum Body, Acrylic Window
Dimension	243.7mm(L) X 83.0mm(H) X 70.8 Ø
Weight	About 0.9Kg