

# TVI Dome Camera

# 1080P

## DTC-20PVMHD

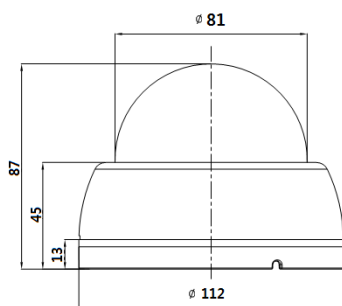
### ◆ Picture



### ◆ Feature

- 1/2.8" Sony PS-CMOS Exmor CMOS
- 2.4Megapixel (1080p) Display with TVI format
- Low up to 0.0008Lux with Sens-Up (32x)
- Motion Detection(4), Privacy Masking (16), Day/Night with ICR, WDR
- 3DNR (Digital Noise Reduction), Defog, OSD
- UTC (Up to Coaxial), D-Zoom 8x
- Max. Transmission distance (300m) via coaxial cable
- Multi Languages (English/Chinese/Korea/Japanese)
- 2.8~12mm Mega Pixel DC Auto Iris Lens
- 3Axis Rotation, Indoor Type

### ◆ Dimensions



Unit: mm

### ◆ Specifications

| MODEL                   | DTC-20PVMHD                                   |
|-------------------------|---|
| <b>Video</b>            |   |
| Image Sensor            | 1/2.8" 2.4Mega(1080p) PS-Sony CMOS            |
| Scan mode               | Progressive Scan                              |
| Total number of pixels  | 2000(H) x 1241(V)                             |
| Number of active pixels | 1984(H) x 1097 (V)                            |
| Resolution              | 1100 TVL                                      |
| Minimum illumination    | 0.0008Lux with Sense-up(30x)                  |
| Video Output            | TVI   |
| S/N Ratio               | More than 50dB (AGC Off)                      |
| <b>Lens</b>             |   |
| Lens                    | 2.8~12mm Varifocal Mega Pixel Lens            |
| Iris                    | DC Iris                                       |
| <b>Function</b>         |   |
| Day & Night             | Auto / Color / BW / EXT                       |
| White Balance           | ATW/MANUAL/AUTO ext/PRESET                    |
| AGC                     | 1 -20   |
| DNR                     | Off / Low / Middle / High                     |
| Mirror / Flip           | Off / On                                      |
| Privacy Zone / Motion   | 16 Zones / 4 Zones                            |
| Brightness              | Level (1~20)                                  |
| Shutter                 | Auto/Manual(1/30/25~1/30000)/FLICKER          |
| Back light              | HLC/WDR/BLC                                   |
| Defog                   | On/Off  |
| <b>Environment</b>      |   |
| Operating Humidity      | 30 % ~ 90 % RH                                |
| Operating Temp.         | - 10°C to 50°(14°Fto122°F)                    |
| <b>Electrical</b>       |   |
| Power Consumption       | Max 3W  |
| Power Supply            | DC12V±10%,<br>Dual Type: AC24/DC12V(Optional) |
| <b>Mechanical</b>       |   |
| Construction            | Plastic body , PC bubble                      |
| Dimension               | 87mm(H) X 81Ø                                 |
| Weight                  | About 0.35kg                                  |