

# TVI Box Camera

# 1080P

## DTC-20FHD

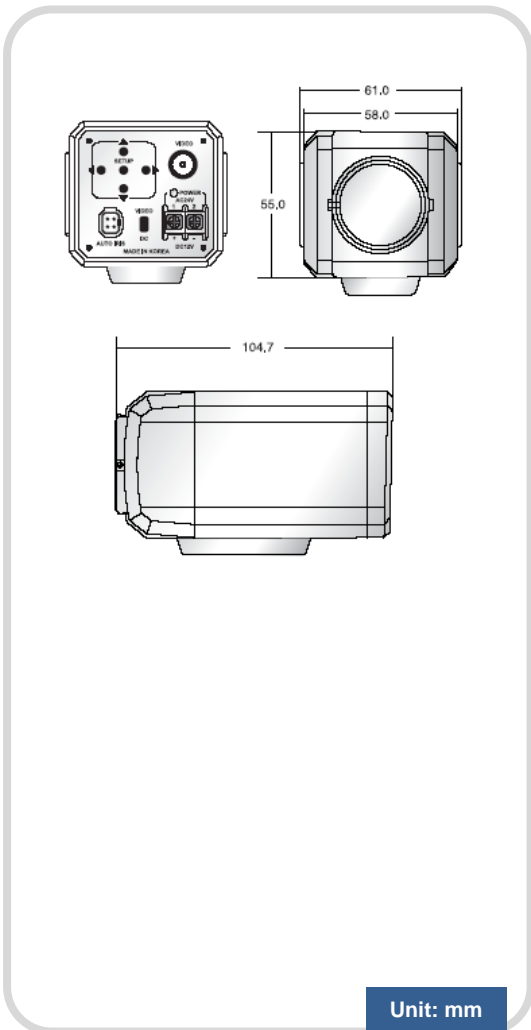
### ◆ Picture



### ◆ Feature

- 1/2.8" Sony PS-CMOS Exmor CMOS
- 2.4Megapixel (1080p) Display with TVI format
- Low up to 0.0008Lux with Sens-Up (32x)
- Motion Detection(4), Privacy Masking (16), Day/Night with ICR, WDR
- 3DNR (Digital Noise Reduction), Defog, OSD
- UTC (Up to Coaxial), D-Zoom 8x
- Max. Transmission distance (300m) via coaxial cable
- Multi Languages (English/Chinese/Korea/Japanese)
- CS Mount Lens

### ◆ Dimensions



### ◆ Specifications

MODEL	DTC-20FHD
<b>Video</b>	
Image Sensor	1/2.8" 2.4Mega(1080p) PS-Sony CMOS
Scan mode	Progressive Scan
Total number of pixels	2000(H) x 1241(V)
Number of active pixels	1984(H) x 1097 (V)
Resolution	1100 TVL
Minimum illumination	0.0008Lux with Sense-up(30x)
Video Output	TVI
S/N Ratio	More than 50dB (AGC Off)
<b>Lens</b>	
Mount	CS Mount
Iris	DC Iris
<b>Function</b>	
Day & Night	Auto / Color / BW / EXT
White Balance	ATW/MANUAL/AUTO ext/PRESET
AGC	1 -20
DNR	Off / Low / Middle / High
Mirror / Flip	Off / On
Privacy Zone / Motion	16 Zones / 4 Zones
Brightness	Level (1-20)
Shutter	Auto/Manual(1/30/25-1/30000)/FLICKER
Back light	HLC/WDR/BLC
Defog	On/Off
<b>Environment</b>	
Operating Humidity	30 % ~ 90 % RH
Operating Temp.	- 10°C to 50°(14°Fto122°F)
<b>Electrical</b>	
Power Consumption	Max 3W
Power Supply	DC12V±10%, Dual Type: AC24/DC12V(Optional)
<b>Mechanical</b>	
Construction	Aluminum body
Dimension	119.8(L)X 67.9(W)X64.7(H)mm
Weight	About 0.4kg