

AHD IR Vandal Dome Camera

1080P, 30 IR

DAC-2030DVIHD

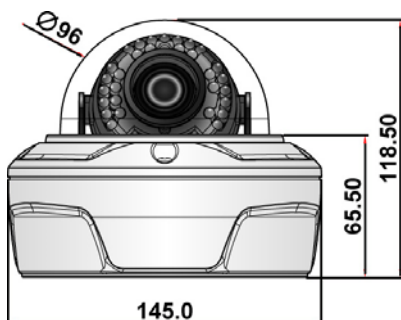
◆ Picture



◆ Feature

- 1/2.8" Sony PS-CMOS Exmor CMOS
- 2.4Megapixel (1080p) Display with AHD format
- Low up to 0.0008Lux with Sens-Up (30x), IR On: 0Lux
- Motion Detection(4), Privacy Masking (4), Day/Night with ICR, DWDR
- 3DNR (Digital Noise Reduction), Defog, OSD
- Live Defect Detection & Correction
- Max. Transmission distance (300m) via coaxial cable
- Built-In High Effective IR 30 EA (Visible Distance: 30M)
- Multi Languages (English/Chinese/Germany/French/Italian/Spanish/Polish/Russian/Portuguese/Netherlands(Dutch)/Turkish)
- 2.8~12mm DC Auto Iris Lens
- Weather-proof (IP66), 3Axis

◆ Dimensions



Unit: mm

◆ Specifications

MODEL	DAC-2030DVIHD
Video	
Image Sensor	1/2.8" 2.4Mega(1080p) PS-Sony CMOS
Scan mode	Progressive Scan
Total number of pixels	2000(H) x 1241(V)
Number of active pixels	1984(H) x 1097 (V)
Resolution	1100 TVL
Minimum illumination	0.0008Lux with Sens-up(30x),LED On:0Lux
Video Output	AHD(2M) or CVBS(1280H)
S/N Ratio	More than 50dB (AGC Off)
Lens	
Lens	2.8 - 12mm MP DC Auto Iris Lens
Iris	DC Auto Iris
Function	
Day & Night	Auto / Color / BW / EXT
White Balance	ATW/AWC-set/INDOOR/OUTDOOR/Manual
AGC	1 -15
DNR	Off / Low / Middle / High
Mirror / Flip	Off / On
Privacy Zone / Motion	4 Zones / 4 Zones
Brightness	Level (1~100)
Shutter	Auto/Manual(1/30/25~1/50000)
Back light	HSBLC/D-WDR/BLC
Defog	On/Off
IR LED	
LEDs	30 LEDs (850nm)
Visible Distance	30m
Environment	
Operating Humidity	30 % ~ 90 % RH
Operating Temp.	-30°C~60°C(-22°F~140°F)
Electrical	
Power Consumption	Max 6W
Power Supply	DC12V±10%, Dual Type: AC24/DC12V(Optional)
Mechanical	
Construction	Aluminum body ,PC bubble
Dimension	φ96(Bubble) x 118.5(H) mm
Weight	About 1.1Kg