

# **USER MANUAL**

---

## **MINI DP TO 2 Port HDM Converter**

**HDCN0005M1**

# INTRODUCTION

---

Dear customer

Thank you for purchasing this product. For optimum performance and safety, please read these instructions carefully before connecting, operating or adjusting this product. Please keep this manual for future reference.

Our series of HDMI converters, switchers, extenders, matrixes and splitters are designed to make your A/V device use more convenient, more comfortable, more productive and more cost-efficient.

**This device MINI DP to 2 port HDMI converter is to turn the DP signal into two routes of HDMI Signal output. The converter allows one DP devices to be split easily to two HDMI compatible monitors or projectors.**

Our devices offer solutions for noise, space and security concerns, data center control, information distribution, conference room presentation, school and corporate training environments.

## FEATURES

- One MINI DP signal input converter and split to two HDMI signal output.
- Support 3D
- Support deep color 24bit,30bit, 36bit
- Support 24/50/60fs/HD-DVD/xvYCC
- Digital audio format, as DTS-HD/Dolby-trueHD/LPCM7.1/DTS/Dolby-AC3/DSD
- Support signal retiming
- Support output up to 20metres AWG26 HDMI standard cable length
- No loss of quality
- Installs in minutes
- Need DC5V/1A power supply

The accessories with the machines lists as picture:

1. 5V/1A Power Adaptor
2. one pc of Manual

Physical Connection Showing Picture:

Figure 1.0 Front Panel Showing Picture

- 1: DP signal input interface
- 2: Power Led Status Light
- 3: 5V DC power interface

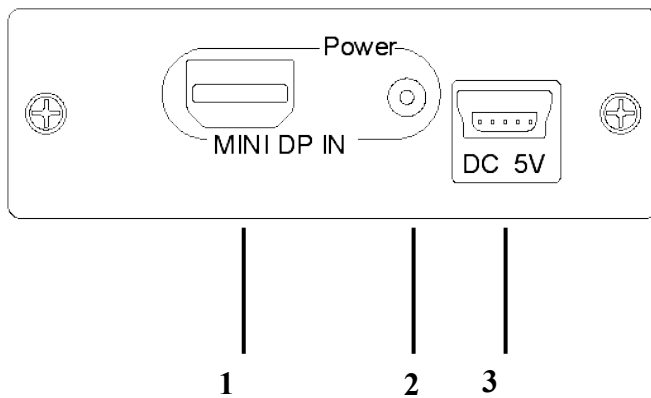
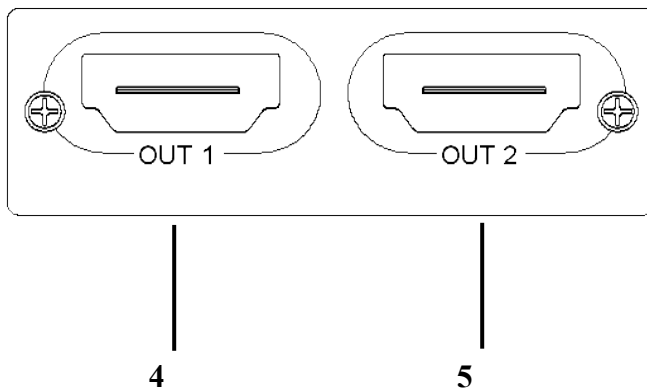
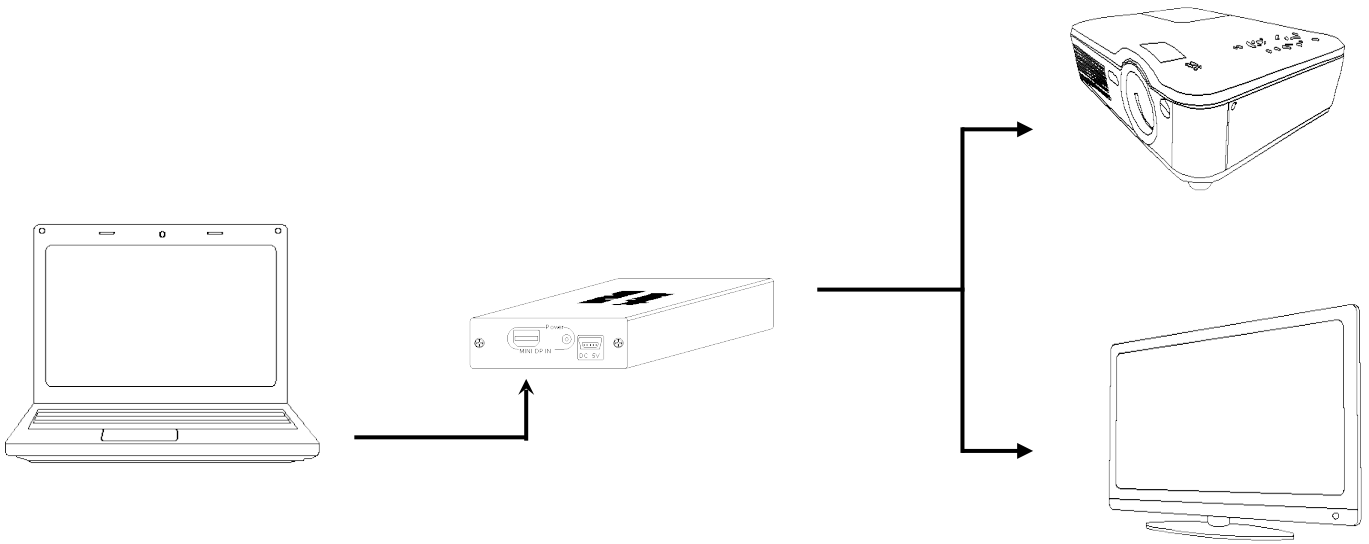


Figure 1.1 r rear panel showing picture



- 4: HDMI output interface 1
- 5: HDMI output interface 2

## Operating and Connecting:



1. To use the mini DP cable to connect the mini DP source with mini DP input port of the converter.
2. To use the HDMI cable to connect the HDMI output port of the converter with the Display or TV HDMI Input port.
3. To connect the 5V/1A adaptor with the converter

## SPECIFICATIONS:

## HDCN0005M1

Input and output resolution.....	24/50/60fs/1080P/1080i/720p/576p/576i/480P/480i
Support video color format .....	24bit,30bit,36bit deep color
Support audio format.....	DTS-HD/Dolby-trueHD/LPCM7.1/DTS/Dolby-AC3/DSD
Max bandwidth.....	225MHz
Max baud rate.....	6.75Gbps
Input/Output TMDS signal .....	0.5~1.5Volts p-p(TTL)
Input DDC signal .....	3.3Volts p-p (TTL)
Output DDC signal .....	5Volts p-p (TTL)
Output cable distance.....	≤15m AWG26 HDMI standard cable
Max working current.....	600mA
Power adapter format..Input: .....	AC (50HZ, 60HZ) :100V-240V; Output: DC 5V/1A
Operating Temperature range.....	(0 to +40°C)
Operating Humidity range.....	5 to 90%RH (No Condensation)
Dimension (L x W x H) .....	68x51.6x16 (mm)
Weight.....	XXg

**Notes:**

Pls use the machine as the instruction listed to keep the long use lifetime of the machine.

1. The machine should be placed at the spot far from the Damp, High-Temperature, Dusty, Erosive, and oxidative environment.
2. All parts will be free from the strong shake, hit, fall.
3. Touching the power adaptor with the wet hands is prohibited.
4. Pls hold the power adaptor head and do not pull the power cord when cut off from the socket.
5. Pls turn the power off when the machine is not used for long time.
6. Pls do not open the cover and do not touch the inside parts.
7. Pls use the original factory power adaptor.

Before power on, pls check the connection line carefully. And make sure that all interfaces are normally connected. The common trouble shooting way shows below:

Serial NO	Trouble Description	Cause and Ways to deal with
1	Non-Power-Connected	1. Check if the power adaptor head is truly and correctly inserted the power socket. 2. Check the power switch if it is in on status.
2	No Picture	1. Pls to make sure that the TV is on and has been connected with the machine. 2. To check if the signal source is on and well connected. 3. Check the system connection quality. 4. Check if the line is all good quality. 5. Check the cable quality
3	Obscure Picture	1. To try again to connect the cable to be free from the unsuccessful connection.

		2. HDMI Cable Quality
--	--	-----------------------