

VIR-410SDI-35Z

Network Equipment

Analog Equipment

HD-SDI Equipment

Video Transmission Equipment

Matrix System Equipment

Stainless Camera Housing

System Accessories

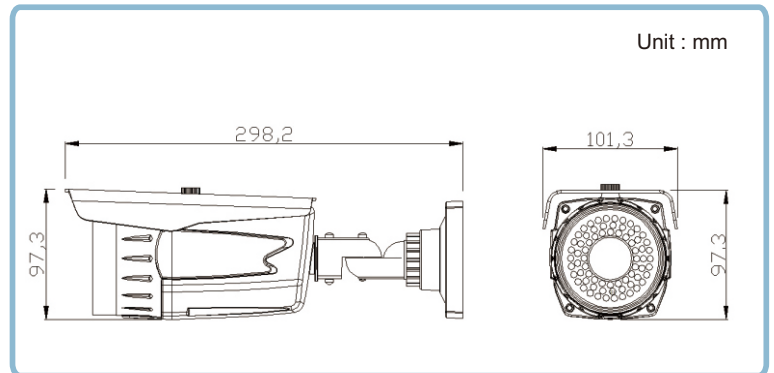
Camera Lens

Modular Camera

System Keyboard

IR Illuminators

- 1080P FULL HD High Definition
- Lens 2.8~12mm Megapixel Lens
- Easy OSD Setting Interface
- Day and Night Auto Switching Mode(Automatic ICR module)
- Support D-WDR Mode
- Supports Digital Zoom Mode
- Support Motion Detection Mode
- HD-SDI Output : HD-SDI (SMPTE292M)/Analog Output
- IP Rating: IP66
- IR LEDs / IR Distance : 72pcs / 35~40M



Specification	VIR-410SDI-35Z
Imaging Module	
Camera Type	IR Camera
Image Sensor	1/2.8" 2M Pixel CMOS Sensor
Effective Pixels	1920(H) X 1080(V)
Image Resolution	1920 X 1080P @ 30fps (HD-SDI)(1080P)
Sens-Up	x2~x30
Illumination	Color Mode: 0.1Lux @F1.2 0.002(Black And White Mode: 0.01Lux @F1.2 0.0002
D-WDR	Off / High / Medium / Low
HD-SDI Signal Output	BNC Port HD-SDI x 1
Analog Video Signal Output	BNC Port Composite Signal x1
Noise Ratio(S/N Ratio)	50dB (AGC Off)
Lens Mode	2.8~12mm Megapixel Lens
Lens Mount Mode	Board Mount
IR-Cut(ICR)	Built-in Mechanical Dual Filter
Screen Settings Menu(OSD)	English / Chinese
Day and Night Display Modes	Automatic Switching
Electronic Shutter	Auto 1/30(25)~1/50,000
AGC	OSD Setup (Close / Medium / High)
Backlight Compensation	On / Off
Auto White Balance	AWB / MWB
Dynamic Noise Reduction	High / Middle / Low / Off
Image Flip Horizontal	On / Off
Infrared Illuminator	72PCS 5Ø mm High-power infrared LED
IR Distance	35~40M
Digital Zoom	On / Off
Image Masking	On / Off
Motion Detection	On / Off
Color Bar	On / Off
Power Supply	12VDC
Operating Temperature	0°C ~ + 50°C / ~ 90% RH
Dimensions	101*98*299mm
Weight	1.5Kg