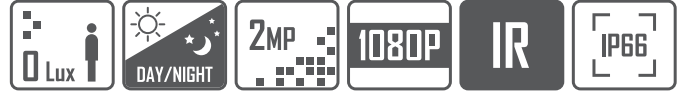


2M MINI HD IR DOME NETWORK CAMERA

T-TD20M1



Onvif

MODEL

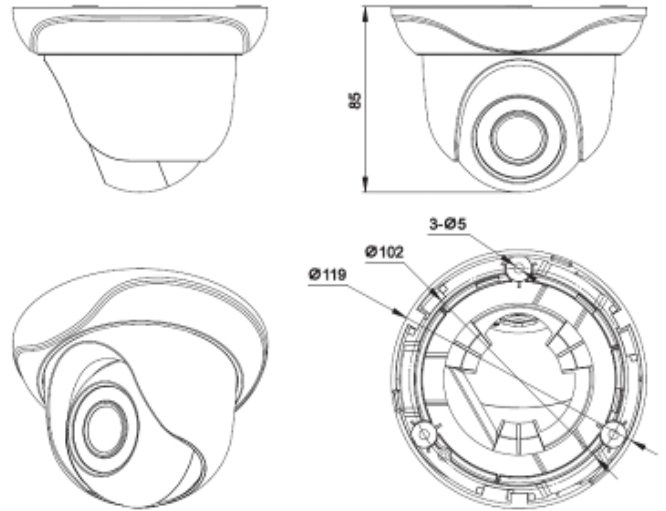
T-TD20M1(2.8mm fixed lens)
2 Megapixel CMOS, 1080@30FPS;
2.8mm lens , POE, IR LED: 20M
Dual-ICR, WDR, ROI, NIR, BLC, Corridor Mode

FEATURES

- 2MP, 1/2.8" CMOS sensor
- 2.8mm HD fixed focus lens, ICR dual filter switch
- 20-30 meters effective IR distance
- Support Triple-stream transmission, Main stream-Maximum resolution: 1080P @ 30fps; Second stream D1@15fps; Third stream: CIF@10fps
- Support WDR, backlight compensation, HLC, 3D noise reduction and image flip
- Support IVA, include tripwire and boundary detection
- Support corridor mode, digital anti-shake, scene mode setting
- Support time mode setting
- Dual-core backup
- Support ROI
- Support image superposition, IPV6, MTU setup, multicast,heartbeat, black and white list, SNMP
- Support P2P mobile phone, it can add IP by QR code
- Support POE

DIMENSION

Unit: mm



SPECIFICATIONS

MODEL T-TD20M1(2.8MM)	
CAMERA	
Image sensor	2MP, 1/2.8" CMOS sensor
Core processor	ARM9 Architecture processor
Operating system	Embedded LINUX
Effective Pixels	2.1 M
Image resolution	Main stream: 1080P(1920*1080); Second stream:D1(704*576); Third stream:CIF
Framerate	NTSC: 1080P@30 F/S
WDR	100db
HLC	Support
Digital noise reduction	3D noise reduction
Electronic Shutter	1S~1/10000S
Mini. Illumination	Color0.05 Lux @(F1.2, AGC ON) B/W0.01Lux @(F1.2, AGC ON); 0 Lux with IR
Day/Night	ICR
Videoparameters	Contrast, brightness, saturation can be adjusted by IE
Image superposition	Support 200*200 BMP 24bit image superposition, area can be set
ROI	up to 4 regions
Image processing	Support NIR, image enhancement, edge enhancement, backlight compensation, gamma adjustment,digital anti-shake, scene mode setting, corridor mode
LENS	
Lens Mount	2.8mm fixed focus lens
Horizontal viewing Angle	82°/104°
Lens interface type	M12
IR LEDS	
IR distance	20-30M
IR Lens	15 IR LEDs
INTERFACE	
Network Port	10/100MEthernet interface RJ45
Protocol	Onvif2.3, GB/T28181
ENCODE MODE	
Video Compression	H.264/MJPEG
Audio Compression	G.711/G.726/ADPCM/AAC
Encode type	BaseLine Profile/ Main Profile
Video Compression code reate	64K~8Mbps
Transmission mode	Triple stream

OTHERS	
IE browser	Web server
Mobile	Support IOS/Android/WindowsMobile
P2P	Support
Client	≤8
Network protocol	TCP/UDP/HTTP/MULTICAST/UPnP/DHCP/PPPoE/DDNS/NFS/FTP/NTP/RTP/RTSP/IPV6/SNMP/SMTP/802.1X/QoS/HTTPS (customized)
IP address	Support static state IP address/DDNS/MTU user-defined/network card user-defined
OSD charactor	Support 16×16/32×32/24×24/48×48/64×64 superposition; Support time, date, week superposition; Support 5 regions additional character superposition
Authority	4 level/128 users
System clock	Build-in clock, support external synchronization
Remote management	Remote network upgrade
Intelligent alarm	Motion detection, Port alarm
IVA	Tripwire, boundary detection
GENERAL	
Ingress Protection	IP66
Operating Environment	-35°C~60°C, 0~95% RHG
Power Supply	DC 12V±10%/1A
Power Consumption	5.5W Max (DC12V)
Dimension	119mm×119mm×85mm
Weight	300g (IP camera only); 500g (with packing box)