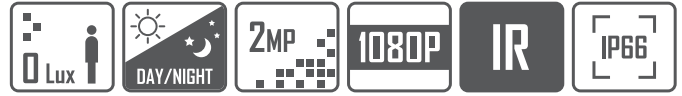


2M MINI HD IR BULLET NETWORK CAMERA

T-TB20M1



Onvif

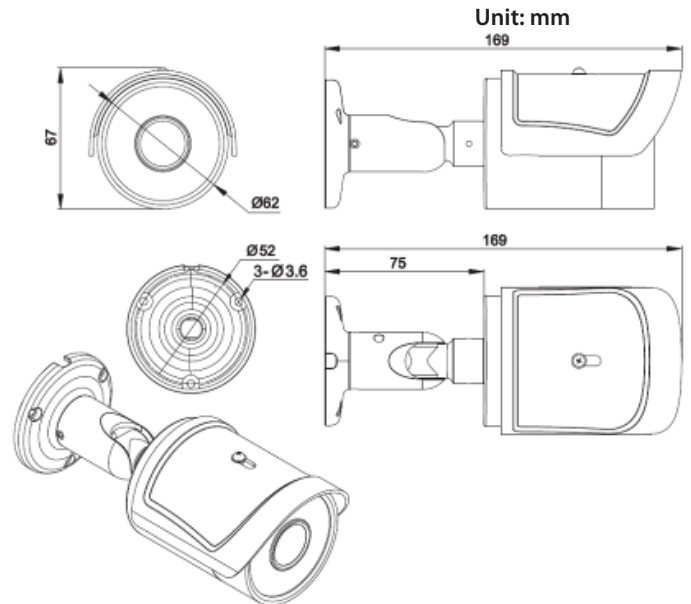
MODEL

T-TB20M1(6mm): 2 Megapixel CMOS, 1080@30FPS; 6mm lens , POE, IR LED: 20M Dual-ICR, WDR, ROI, NIR, BLC

FEATURES

- 2MP, 1/2.8" CMOS sensor
- 6mm HD fixed focus lens, ICR dual filter switch
- 20-30 meters effective IR distance
- Support Triple-stream transmission, Main stream-Maximum resolution: 1080P @ 30fps; Second stream D1@15fps; Third stream: CIF@10fps
- Support WDR, backlight compensation, HLC, 3D noise reduction and image flip
- Support IVA, include tripwire and boundary detection
- Support corridor mode, digital anti-shake, scene mode setting
- Support time mode setting
- Dual-core backup
- Support ROI
- Support image superposition, IPV6, MTU setup, multicast,heartbeat, black and white list, SNMP
- Support P2P mobile phone, it can add IP by QR code
- Support POE

DIMENSION



SPECIFICATIONS

MODEL T-TB20M1(6MM)	
CAMERA	
Image sensor	2MP, 1/2.8" CMOS sensor
Core processor	ARM9 Architecture processor
Operating system	Embedded LINUX
Effective Pixels	2.1 M
Image resolution	Main stream: 1080P(1920*1080); Second stream:D1(704*576); Third stream:CIF
Framerate	NTSC: 1080P@30fps
WDR	100db
HLC	Support
Digital noise reduction	3D noise reduction
Electronic Shutter	1S~1/10000S
Mini. Illumination	Color0.05 Lux @(F1.2, AGC ON) B/W0.01Lux @(F1.2, AGC ON); 0 Lux with IR
Day/Night	ICR
Videoparameters	Contrast, brightness, saturation can be adjusted by IE
Image superposition	Support 200*200 BMP 24bit image superposition, area can be set
ROI	Up to 4 regions
Image processing	Support NIR, image enhancement, edge enhancement, backlight compensation, gamma adjustment,digital anti-shake, scene mode setting, corridor mode
LENS	
Lens Mount	6mm fixed focus lens
Horizontal viewing Angle	81°/50°
Lens interface type	M12
IR LEDS	
IR distance	20-30M
IR Lens	36 IR LEDs
INTERFACE	
Network Port	10/100MEthernet interface RJ45
Protocol	Onvif2.3, GB/T28181
ENCODE MODE	
Video Compression	H.264/MJPEG
Audio Compression	G.711/G.726/ADPCM/AAC
Encode type	BaseLine Profile/ Main Profile
Video Compression code reate	64K~8Mbps
Transmission mode	Triple stream

OTHERS	
IE browser	Web server
Mobile	Support IOS/Android/WindowsMobile
Client	≤8
Network protocol	TCP/UDP/HTTP/MULTICAST/UPnP/DHCP/PPPoE/DDNS/NFS/FTP/NTP/RTP/RTSP/IPV6/SNMP/SMTP/802.1X/QoS/HTTPS (customized)
IP address	Support static state IP address/DDNS/MTU user-defined/Network card user-defined
OSD charactor	Support 16×16/32×32/24×24/48×48/64×64 superposition; Support time, date, week superposition; Support 5 regions additional character superposition
Authority	4 level/128 users
System clock	Support NTP timing, support login automatic synchronization
Remote mamagement	Remote network upgrade
Intelligent alarm	Motion detection, IP conflict, MAC conflict detection
IVA	tripwire, boundary detection
GENERAL	
Ingress Protection	IP66
Operating Environment	-35°C~60°C, 0~95% RHG
Power Supply	DC 12V±10%/1A
Power Consumption	6.5W Max (DC12V)
Dimension	169mm×67mm×70mm
Weight	400g (IP camera only); 600g (with packing box)