

# HD-SDI Dome Camera

## Full HD, 36IR

### DMC-2036EVC

#### ◆ Picture

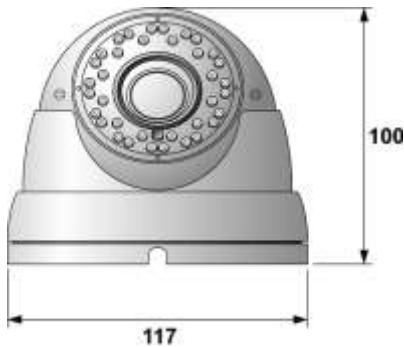


#### ◆ Feature

- 1/3" PS-Panasonic CMOS
- Full HD 2.2 Megapixel (1080p) Display
- Low up to 0.08Lux, LED On: 0Lux
- Day/Night with ICR
- Auto DNR (Digital Noise Reduction)
- Max. Transmission distance (200m) via coaxial cable(5CHFBT)
- SMPTE 292M(HD-SDI)
- 2,8~12mm Manual Iris Varifocal Lens
- Built-In High Effective IR 36 EA (Visible Distance: 30M)
- Aluminum housing, IP65



#### ◆ Dimensions



Unit: mm

#### ◆ Specifications

MODEL	DMC-2036EVC
<b>Video</b>	
Image Sensor	1/3" 2.2 Mega(1080p) Panasonic CMOS
Scan mode	Progressive Scan
Total number of pixels	2010(H) x 1108 (V), 2.2M
Number of active pixels	1944(H) x 1092 (V)
Resolution	1,100 TVL
Minimum illumination	0.001Lux with Sense-up(8x)
Video Output	HD-SDI, SMPTE-292M
S/N Ratio	More than 50dB (AGC Off)
<b>Lens</b>	
Lens	2.8~12 mm Varifocal Mega Pixel Lens
Iris	Electric Iris
<b>Function</b>	
Day & Night	Auto
White Balance	Auto
AGC	Auto
DNR	Auto
Shutter	Auto
<b>IR LED</b>	
LEDs	36 LEDs (850nm)
Visible Distance	30m
<b>Environment</b>	
Operating Humidity	30 % ~ 90 % RH
Operating Temp.	- 20°C to 50°
<b>Electrical</b>	
Power Consumption	Max 4W
Power Supply	DC12V±10,
<b>Mechanical</b>	
Construction	Aluminum body, Acrylic Window
Dimension	100mm(H) X 117Ø
Weight	About 0.7Kg