

HD-SDI IR Camera

Full HD(2M), 84IR

DMC-2082BH

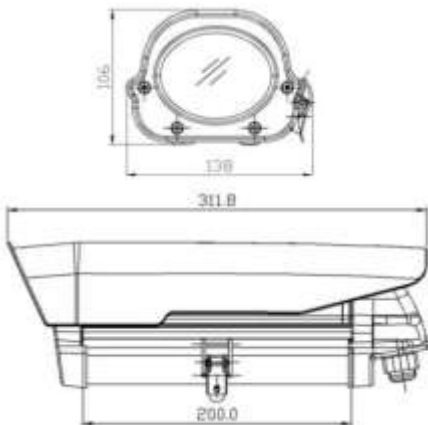
◆ Picture



◆ Feature

- 1/3" PS-Panasonic CMOS
- Full HD 2.2 Megapixel (1080p) Display
- Low up to 0.001Lux with Sens-Up(8x), LED On:0Lux
- Motion Detection, Privacy Masking(32), Day/Night, Digital Zoom(96x)
- DNR (Digital Noise Reduction), Defog, OSD
- Max. Transmission distance (200m) via coaxial cable(5CHFBT)
- SMPTE 292M(HD-SDI)
- 2.8~12mm Mega Pixel Lens
- Built-In High Effective IR 84 EA (Visible Distance: 50M)
- Weather-proof (IP66), Concealed bracket type

◆ Dimensions



Unit: mm

◆ Specifications

MODEL	DMC-2082BH
Video	
Image Sensor	1/3" 2.2 Mega(1080p) Panasonic CMOS
Scan mode	Progressive Scan
Total number of pixels	2010(H) × 1108 (V), 2.2M
Number of active pixels	1944(H) × 1092 (V)
Resolution	1,100 TVL
Minimum illumination	0.001Lux with Sense-up(8x)
Video Output	HD-SDI, SMPTE-292M
S/N Ratio	More than 50dB (AGC Off)
Lens	
Lens	2.8~12mm MP DC Auto Iris Lens
Iris	5~50mm Lens(Optional) DC Auto Iris
Function	
Day & Night	Auto / Day / BW / EXT(1~2)
White Balance	Auto / Auto-ext / Push / Manual
AGC	Level Setting(1~10)
DNR	Off / Low / Middle / High
Privacy / Motion	32 Zones / 1 Zone
Mirror / Flip	Off / On
Brightness	Level (1~20)
Shutter	Auto/Manual(1/30~1/60000)
Back light	WDR/D-WDR/BLC
IR LED	
LEDs	84 LEDs (850nm)
Visible Distance	70m
Environment	
Operating Humidity	30 % ~ 90 % RH
Operating Temp.	- 20°C to 50°
Electrical	
Power Consumption	Max 8W
Power Supply	DC12V±10, Dual Type: AC24/DC12V(Optional)
Mechanical	
Construction	Aluminum body, Acrylic Window
Dimension	138mm(W) X 106mm(H) X 311(L)mm
Weight	About 1.5Kg