

5.6" LCD Test Monitor

SC56

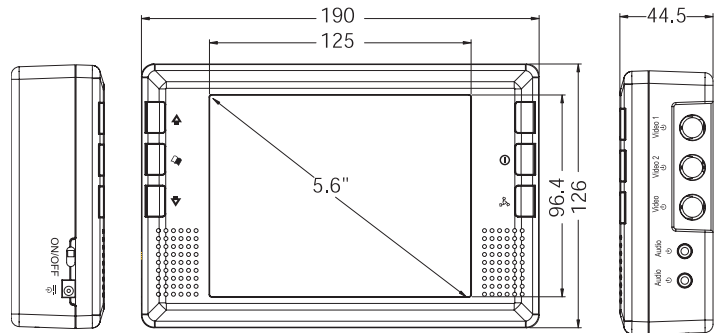
Product Features

- Lightweight & Compact Size
- Resolution 640 × 480 (RGB)
- NTSC/PAL auto recognition
- Multi-language support OSD
- Carrying Strap and travel case
- Rechargeable battery and AC adaptor
- Two video BNC input and one audio jack input
- Ideal for CCTV installation, on-site demonstration and testing
- Last memory for settings when powered off
- Power saving while no signal input





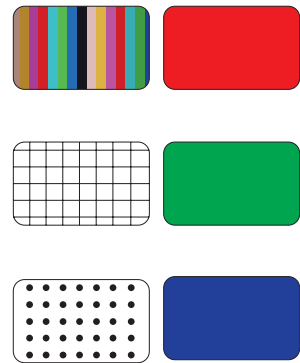
Dimension



SC56 Specification

| Specification \ Model | | SC56 |
|-----------------------|--|-------------------------------------|
| DISPLAY | Screen Size | 5.6" TFT LCD |
| | Aspect Ratio | 4 : 3 |
| | Max. Resolution | 640 × 480 |
| | Viewable Size (HxV) | 112.9 x 84.7 mm |
| | Pixel Pitch (HxV) | 0.0588 x 0.1764 mm |
| | Brightness | 200 cd/m ² |
| | Contrast Ratio | 500 : 1 |
| | Viewing Angle (HxV) | 120° / 140° |
| | Display Color | 16.7M |
| | Response Time (Tr/Tf) | 10/15 ms |
| | Panel Life Time | 20,000 hrs |
| I/O INTERFACE | Video Input | BNC x 2(1.0 Vp-p 75) |
| | Video Output | BNC x 1(2.0 Vp-p 75) |
| | Audio Input | PhoneJack x1, Stereo |
| | Audio Output | PhoneJack x1, Stereo |
| GENERAL | Power Input | AC 100~240V, 50/60 Hz |
| | Power Supply | DC 12V / 1.5A |
| | Power Consumption | 20W |
| GENERAL | Operating Condition | Temp.: 0°C ~ 40°C Hum.: 20% ~ 85% |
| | Storage Condition | Temp.: -20°C ~ 60°C Hum.: 20% ~ 85% |
| | Dimension (WxHxD) | 190 x 126 x 44.5 mm |
| | Net Weight | 0.62 Kg |
| | Regulations | CE, FCC |
| FEATURES | Built in Speakers | 1W (Max.) |
| | PIP & POP | - |
| | 3D Comb Filter | - |
| | 3D De-interlace | - |
| OSD Languages | English, Traditional Chinese, Simplified Chinese, Japanese, French, German, Spanish, Italian | |
| OPTION | Other | Rechargeable battery : EP-2FC2S1P |

Test Pattern Generator



Pcking List

- 5.6" TFT LCD monitor x1
- Travel case with carrying and waist strap x1
- AC adaptor x1
- Rechargeable Li-poly battery x1
- 12VDC vehicle cigar lighter charger x1
- 3.5" stereo jack to RCA jack cable x1
- User manual x1



*Specifications subject to change without notice. V1.1