

***TELIKOU* Intercom System**

TF-204 Two Channel Four Wire Interface

Instruction Manual

© 2006 **TELIKOU** Systems

All Rights Reserved

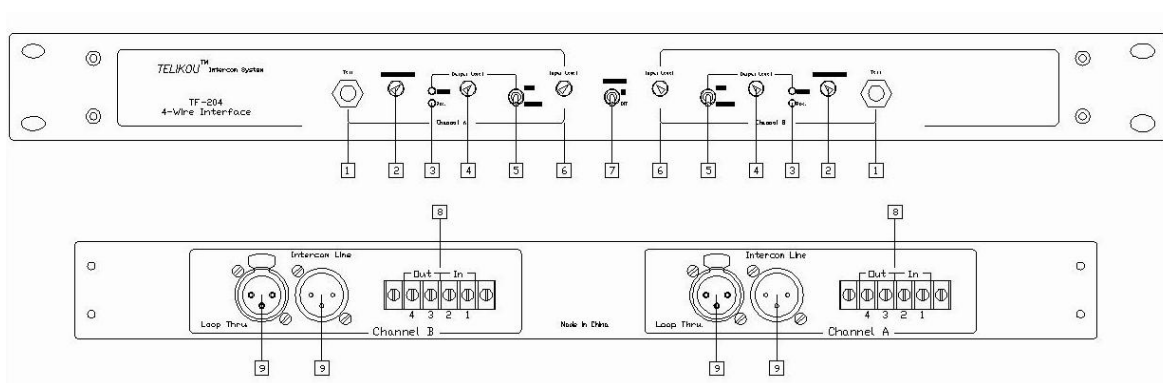
While **TELIKOU** makes every attempt to maintain the accuracy of the information contained in its product manuals, that information is subject to change without notice

I. Instruction

Thank you for choosing TELIKOU intercom product. Before use, we recommend you read through this manual to better understand the function of TF-204. If you have any question that does not addressed on this manual, please contact your dealer or call us. We are standing by to assist you.

The TF-204 4-wire interface enables up to two 4-wire devices to interface with the TELIKOU intercom system. It matches standard 600 ohm transmit/receive lines (at normal levels) to TELIKOU line level. The panel setting for TF-204 is simple.

II. Basic operations



Front Panel

● Sidetone Adj.

1. Sidetone Monitor Plug

6.35mm, 1/4inch headset plug

2. Sidetone Adjust

Unsatisfied sidetone could cause feedback between input and output. In either of these cases, you should minimize the amount of sidetone.

Sidetone Adjustment Procedure:

- A) Set Link switch (LINK A+B) to OFF position.
- B) Turn the Output Level control turns to the half way by clockwise.
- C) Turn the Input Level control on Channel A by clockwise slowly. Find a comfort hum listening level .
- D) Adjust the sidetone adjusting control. There should be a point where the voice is the lowest or disappeared.

Repeat this procedure for Channel B.

- Output Level

3. Output Level Indicator

Green light indicates output level normal.

Red light indicates output level high.

4. Output Level Particular Adjustment

Adjust the Output level which transmits from terminal block connector pin 3 and 4. The position of the Output level control should provide a strong average green light on the LED indicator. This occurrence indicates a 0dB line level on 600ohm line. Red light indicates exceeded output level. Occasional transitions to a red light are acceptable.

5. Output Level Raw Adjustment

Output selections switch:

1 Dyn.Mic:

Simulation dynamic microphone;

Resistance: 100 ohm;

Level: -70dB - -30dB (1 KHz)

2 Line:

Simulation line output;

Resistance: 600 ohm;

Level: -25db - +12dB (1 KHz)

- Input Level

6. Input Level Adjustment

Adjust the Input Level on the interface to fit different input signal level.

- Link

7. Link A+B

Channel A and Channel B can connect to a group of 4-wir device individual.

When this switch is set to the Off position. Channel A and Channel B are individual, and they can not communicate to each other.

When this switch is set to the ON position. Channel A and Channel B are connected to each other.

Rear Panel

8. 4-wire In/Out

To connect a 4-wire device to the interface, for each module, attach one set of 4-wire output lines to one set of terminal block connectors on the TF-204 rear panel. On the terminal block, pins 1 and 2 are for input (IN) and pins 3 and 4 are for output (OUT).

NOTICE: In the external 4-wire link, any artificial sidetone leakage from the TRANSMIT to the RECEIVE signal must be eliminated as much as possible.

9. Intercom Line connector

3-pin XLR female socket

The pinout of the intercom connectors is as follows:

Pin 1 --- Common (Shield)

Pin 2 --- Power (+24 VDC)

Pin 3 --- Audio

III. Installation

TF-204 adopts 19-inches 1U cabinet, and this workstation can be mounted on rack or placed on desktop. If it is placed on desktop, it is required to adhere 4 rubber foot pads provided with machine to four corners at the bottom of cabinet with double-face adhesive tape.

IV Troubleshooting

Problem: System feedback (Acoustical)

Cause 1: Listen level control at this station or a remote station is set too high

Solution 1: Adjust

Cause 2: Sidetone null control at this station or a remote station is not adjusted correctly

Solution 2: Adjust. Refer to the procedure in the Front Panel section of this manual.
Set the MS-800 termination switch to the ON position.

Cause 3: A headset cord is too long or jointing quality .

Solution 3: Check headset cord

Problem: Hum or buzz in system


Cause 1: Inductive pickup caused by close proximity of this main station or connected remote stations to power lines or transformers.

Solution 1: Relocate the offending unit.

Cause 2: Intercom line cable is not wired properly; the shield of microphone cable is not connected to Pin-1 of 3-XLR

Solution 2: Check intercom line cable. Make sure all the cables' Pin-1 of 3-XLR connects correct.

Cause 3: 10 Ohm chassis ground resistor is open.

Solution 3: Bridge a 10 Ohm resistor between system ground (G) and earth ground () of any power supply.

If this condition occurs, it is because the system ground came into contact with something that was "HOT" with respect to the power supply earth ground. Carefully check the system ground and AC distribution in the area.

V Technical Specification

Bandwidth:

40Hz – 8000Hz

Input:

Balanced;

Resistance : 10K ohm Bridge

Output:

Isolated

Environmental

0°-70°C (32°-158°)

Dimensions

19" (W) x 1.75" (H) x 4.96" (D), 483mm x 44.5mm x 126mm

Weight

1.5kg