

IP CABLING TRANSMISSION – POE Switch

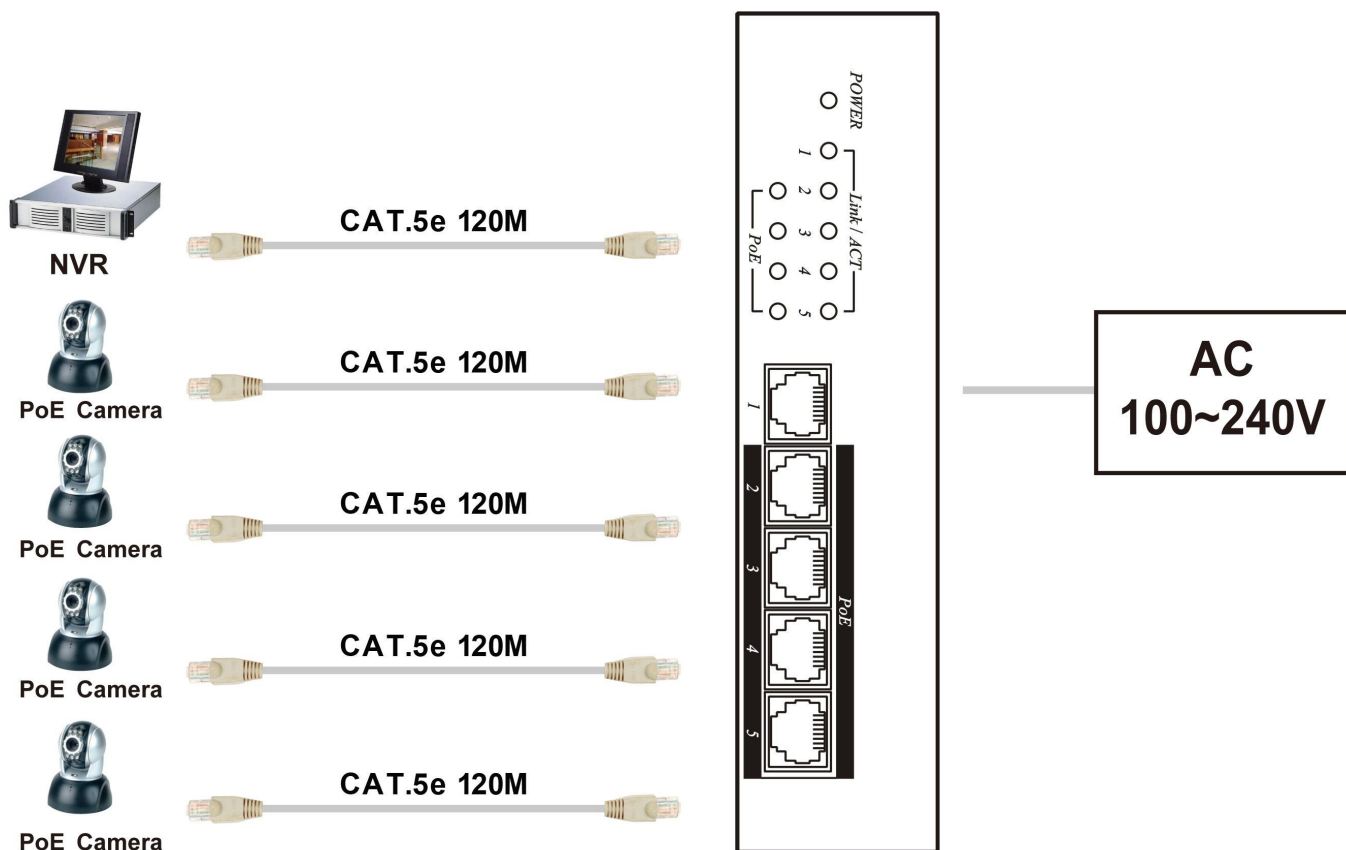
ITEM NO.: IP06H 5 Port High Power POE Switch

IP06H PoE switch is specifically designed to meet IEEE 802.3at standards with support up to Gigabit speed and powering network devices. With PoE installation of network devices such as IP surveillance cameras, wireless access points, IP phones, and other PoE enabled devices in hard-to-reach, outdoor, and remote areas is simplified.

Features:

- 4-Port 10/100/1000Mbps with embedded PoE Injector.
- 1-Port 10/100/1000Mbps for connecting to LAN.
- Auto-sensing for detecting PoE or non-PoE devices.
- Compatible IEEE 802.3at PoE standard.
- 2 units install at TPN002 rack mounting become 8 ports Switch.
- Internal power supply.
- Option Model: TRN002 1U 19" Rack Mounting Panel

Installation View:

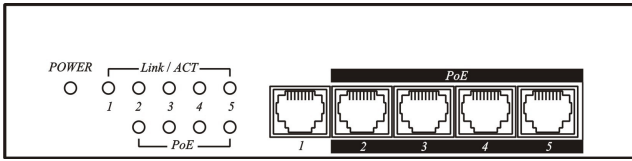


- Option Model: TRN002 1U 19" Rack Mounting Panel



Panel View:

IP06H



LED Indication:

LED (Green)	ON	Power on
	OFF	Power off
Link/ACT (Yellow)	ON	10/100/1000 Mbps link
	OFF	10/100/1000 Mbps unlink
	FLASH	Activity
PoE (Green)	ON	PSE sending power
	OFF	PSE non power

Specification:

ITEM NO.	IP06H
Input/Output Connector	RJ-45 x 5
Data Link	Pins 1, 2 / 3, 6 / 4, 5 / 7, 8
Power Link	Pins 1, 2 / 3, 6 (End-Span)
LED Indicator	Power(Green), 10/100/1000/Act(Yellow), PoE(Green)
PoE Port Power	IEEE 802.3at Standard (1-Port 30W/600mA)
Power Supply	DC 54V 120W 2.22A
Power Consumption	Non-load 2.6W (48mA) · 4port 4.1W (76mA)@10/100Mbps · 4port 6.3W (116mA)@1000Mbps
Temperature	Operation : 0 to 55°C, Storage : -20 to 85°C, Humidity : Up to 95%
Dimensions	187 x 136.6 x 42 (mm)
Weight	860 (g)

RoHS CE FC

Rev.A