

System	RHP85 (Head) + T103B (Tripod) + BR-6B (Mid-level spreader) + FP-3B (Large rubber feet) + RC-80 (Carrying case)		
Payload	25 kg / 55 lb	Tilt angle	+90° / -70° (Limited to ±40° with maximum counterbalance)
Weight	11.4 kg / 25.1 lb	Pan angle	360°
Height	① H: 1895 mm W: 875 mm (※Reference)	Counterbalance	Range : 9~20 kg / 20~44 lb (CG125mm)
	② H: 955 mm W: 680 mm (")		System : Continuous
Folded length	③ L: 1010 mm (")	Drag mode	7 STEP
Camera plate (Sliding range)	2 Sliding plates (Standard + Long) Standard : ±55 mm / ±2.2", Long : ±85 mm / ±3.3"	Ball diameter	∅100 mm
Plate attachment (Screw sliding range)	Type : 3/8-16UNC × 2 Standard : 102 mm / ±4", Long : 95 mm / ±3.7"	Section	2STAGE (Material: Aluminum)
Spare screw	Type : 3/8-16UNC × 1	Tripod fixation	Fixing lock knob
	Equipped on the head (Behind the platform of sliding plate)	Spreader	BR-6B (Telescopic, Removable)
		Pan handle	PH-8B
		Case material	Nylon , Polyester , TPE , PE , PP

Remarks

Outside diameter of pipe

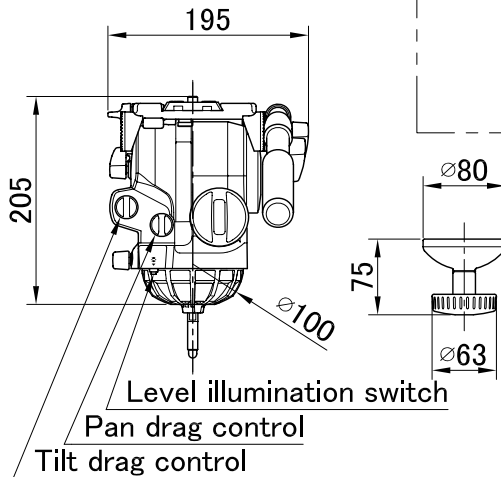
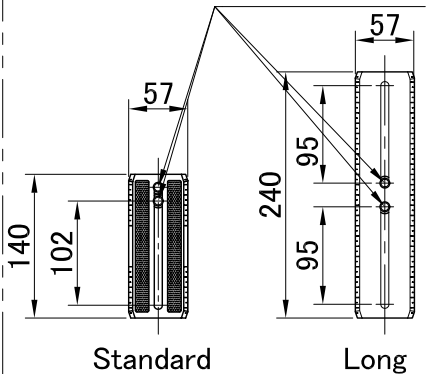
Upper : $\phi 24$ / Middle : $\phi 24$ / Lower : $\phi 20$

Exterior Dimensions (mm)

RHP85

Sliding plate (2 Type)

Camera screw



※Reference

