

System	RHP85 ( Head ) + T103B ( Tripod ) + SP-6B ( Floor spreader ) + RC-80 ( Carrying case )		
Payload	25 kg / 55 lb	Tilt angle	+90° / -70° ( Limited to ±40° with maximum counterbalance )
Weight	11.6 kg / 25.5 lb	Pan angle	360°
Height	① H : 1915 mm W : 730 mm (※Reference)	Counterbalance	Range : 9~20 kg / 20~44 lb (CG125mm)
	② H : 795 mm W : 1110 mm ( " )		System : Continuous
Folded length	③ L : 1010 mm ( " )	Drag mode	7 STEP
Camera plate	2 Sliding plates ( Standard + Long )	Ball diameter	∅100 mm
(Sliding range)	Standard : ±55 mm / ±2.2" , Long : ±85 mm / ±3.3"	Section	2STAGE (Material: Aluminum)
Plate attachment	Type : 3/8-16UNC × 2	Tripod fixation	Fixing lock knob
(Screw sliding range)	Standard : 102 mm / ±4" , Long : 95 mm / ±3.7"	Spreader	SP-6B (Telescopic, Removable)
Spare screw	Type : 3/8-16UNC × 1	Pan handle	PH-8B
	Equipped on the head ( Behind the platform of sliding plate )	Case material	Nylon , Polyester , TPE , PE , PP

### Remarks

Outside diameter of pipe

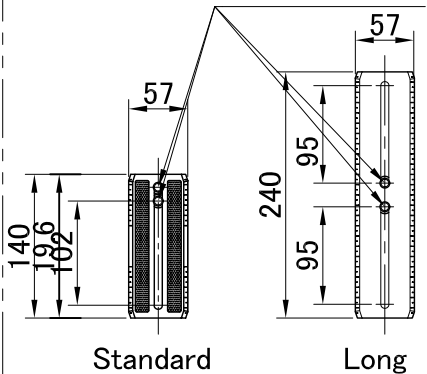
Upper : ∅24 / Middle : ∅24 / Lower : ∅20

### ■ Exterior Dimensions (mm)

#### ■ RHP85

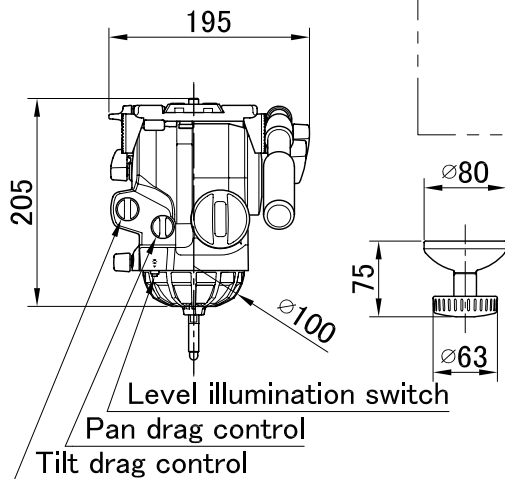
Sliding plate ( 2 Type )

Camera screw



Standard

Long

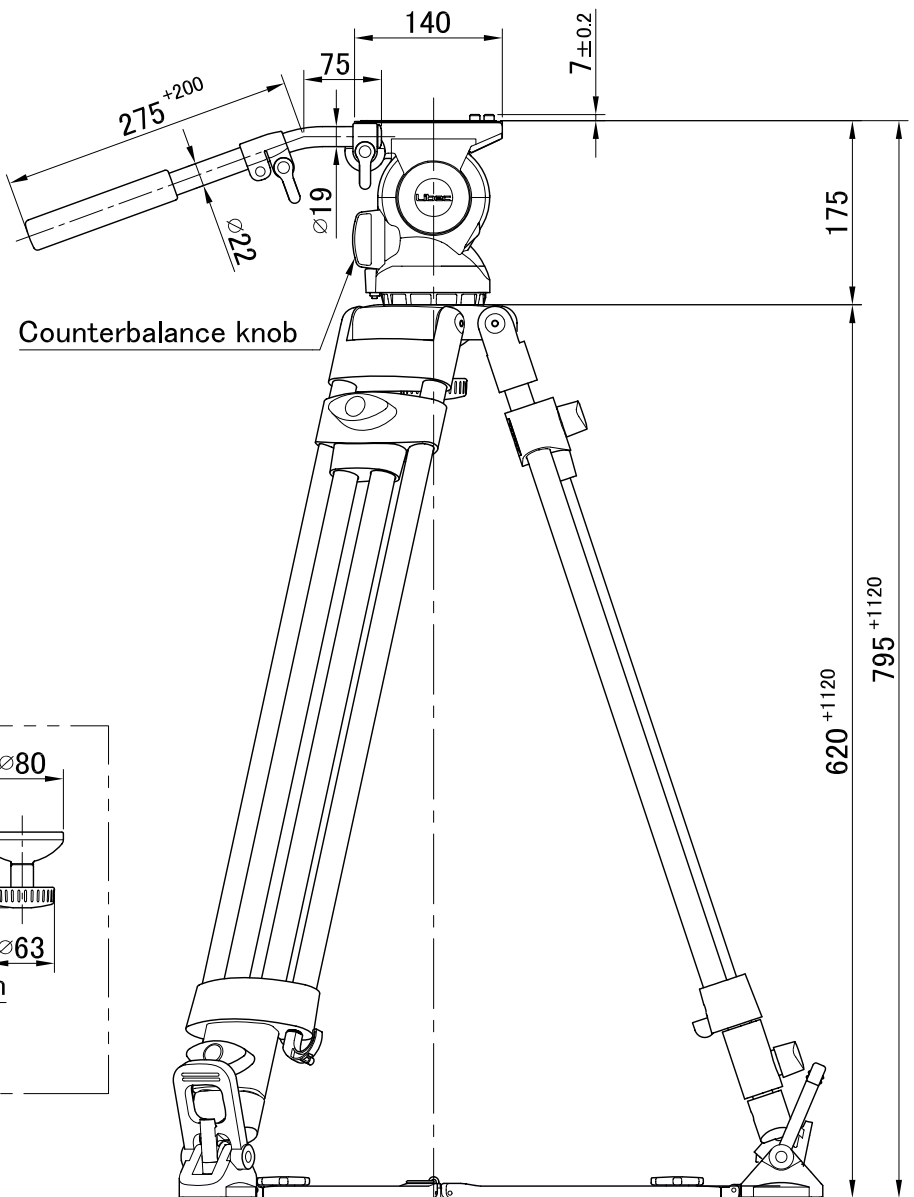
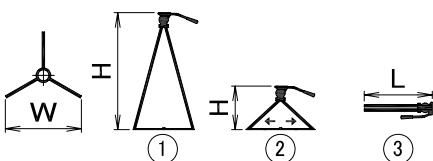


Level illumination switch

Pan drag control

Tilt drag control

※Reference



Counterbalance knob

620 +1120

795 +1120

175

140

75

275 +200

∅22

∅19

7 ±0.2