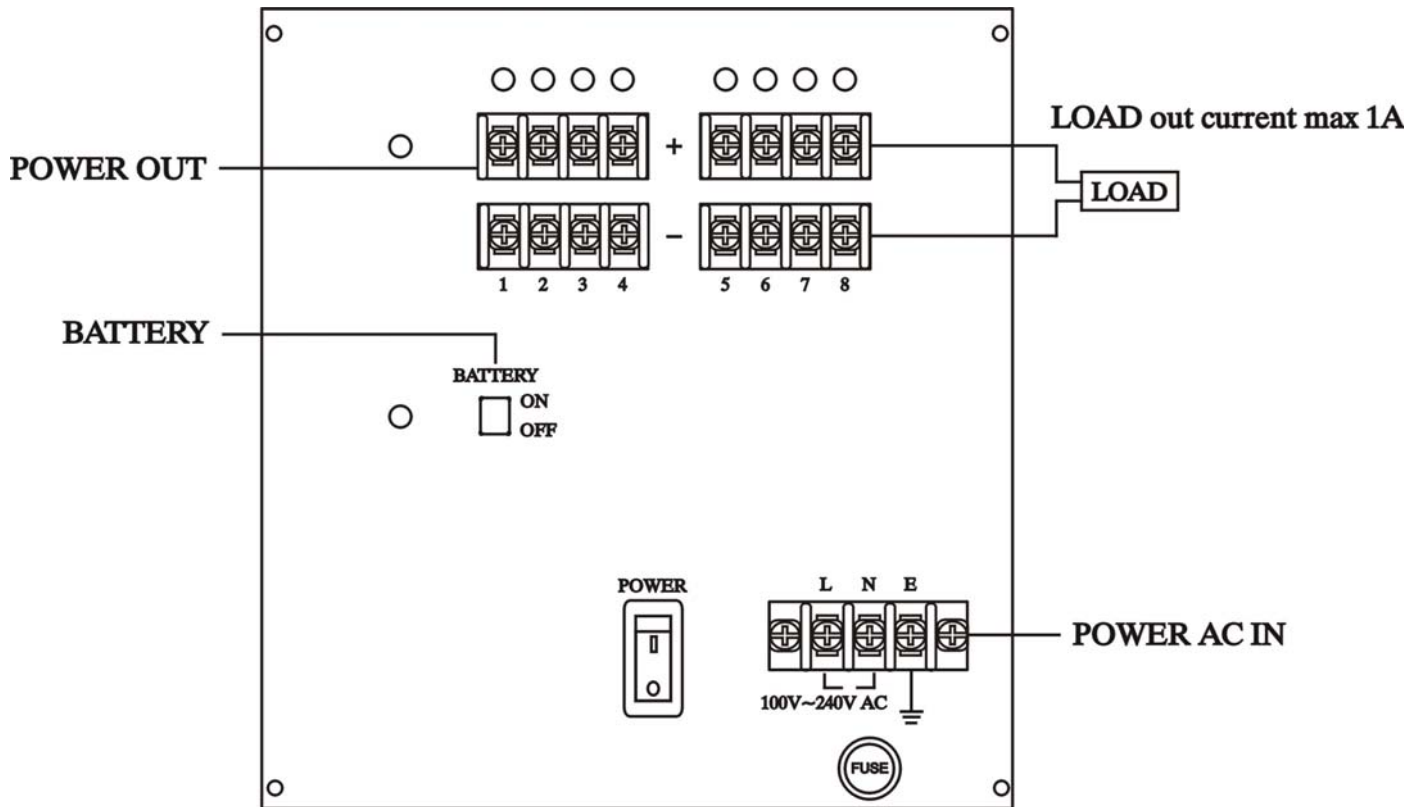


## Wall Mounted Power Supply Center

ITEM NO.: PW408U 12VDC REGULATED WITH 3AMP BACK UP BATTERY



1. PW408U → 8 Port Voltage output.
2. Individual Green LED , ON→ Output ok, OFF→ output failed (check LOAD)
3. **Red LED ON→Major power supply normal, LED not light→Major power supply not normal (check output: power switch or fuse). If fuse failed, please change new fuse Fuse spec: 2 AMP/250V Dimension: 5.2 mm x 20 mm**
4. Input AC Voltage→ 100V ~ 240V, L = Live Wire, N = Neutral Wire, E = Earth Wire.
5. Output Voltage load: 12VDC Regulated at 4AMP. (Recharge Battery status: 3.5AMP Max.)
6. Max Output Current: 4AMP (1CH~8CH).
7. Individual output: standard output current 1AMP.
8. Individually protected PTC\* auto reset output fuse.
9. Individual current protection: 1.1A, (2.5A/4sec.)
10. Built in surge protection.
11. At least need one second to auto rework after remove the overload status.
12. Built in 12V 3.3AMP Rechargeable Sealed Lead Acid Battery for power back up.
13. Automatic switch over to stand-by battery when AC fails.
14. LED color Indication on Battery: Green: battery full, Yellow: battery recharging, Red: loss of AC, stand-by battery supplying power, Flash Red: low battery.