

Online Coaxial / Twisted Pair Surge Protection Device

ITEM NO: SP005 Video and Data Surge Protection Device

Application for protects equipment from high voltage surges such as lightning strikes. UL grounding requirements for coaxial cable offer protection from hazardous voltages that may occur on the shielding. Because of the physical length of ground wires, UL grounding systems may appear as an open circuit to lightning caused, high frequency surges and provide no protection from these surges getting into a home and destroying CATV converters, TV sets, VCR, Camera etc.



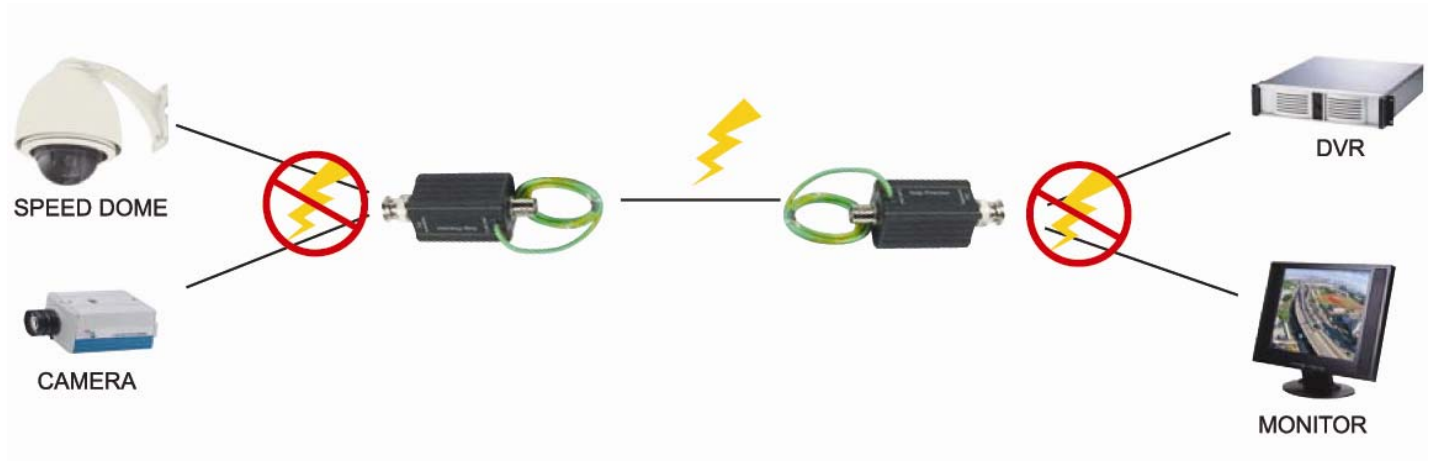
Features:

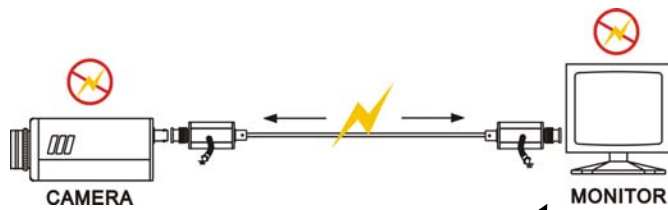
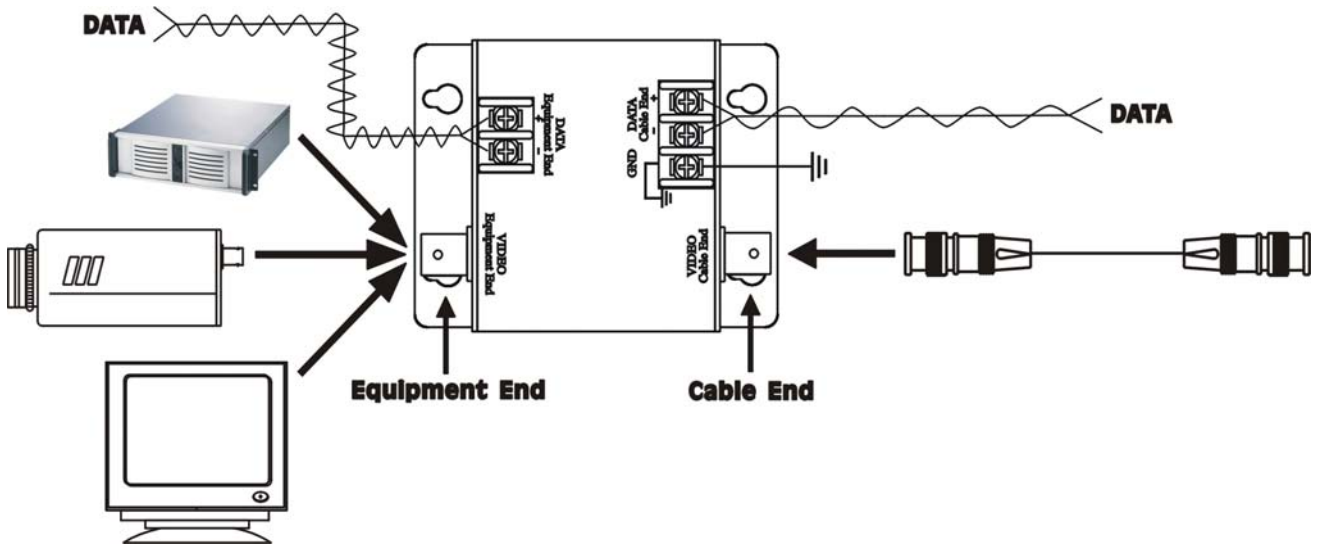
- Performs a different function than grounding requirements.
- Protects equipment from high voltage surges from nearby lightning strikes.
- Two stage protection: 130V, AC/DC 12V
- Wide range of applications: CCTV system, Antenna of Television, satellite receivers, FM receivers, video camera, monitors, multiplexers & Quad processor, VCR, etc.

SP005 Video and Data Surge Protection Device

- BNC Female + Terminal to BNC Female + Terminal
- Perfect for speed dome camera & control signal.

Installation View:





Application

- CATV System
- Antenna of Television
- Video Cassette Recorders
- FM receivers
- Video Cameras and monitors
- Multiplexers and Quad Processor

Note:
For ensuring the unit can protect equipments, the cable must be connected to ground.

Specification:

ITEM NO.	SP005
Surge Protection Attack Time	1 ns
Maximum Surge Voltage	4 KV
Surge Life	300 surges of 100Amps
Normal Resistance Across Coax	10,000 MΩ
Surge Resistance	Approx. 0Ω
BAND PASS	0~1 GHZ
Power Passing Capability	130V AC / DC, 65 Vrms at 10 Amps
Insertion Loss	Less than 0.2 dB
Return Loss (75 ohms)	16dB
Connectors	Terminal
Dimensions W x H x D mm	65x25x25
WEIGHT g	65

