

Coaxial Cabling : Video Distributor & Video Amplifier Series

ITEM NO.: CD108



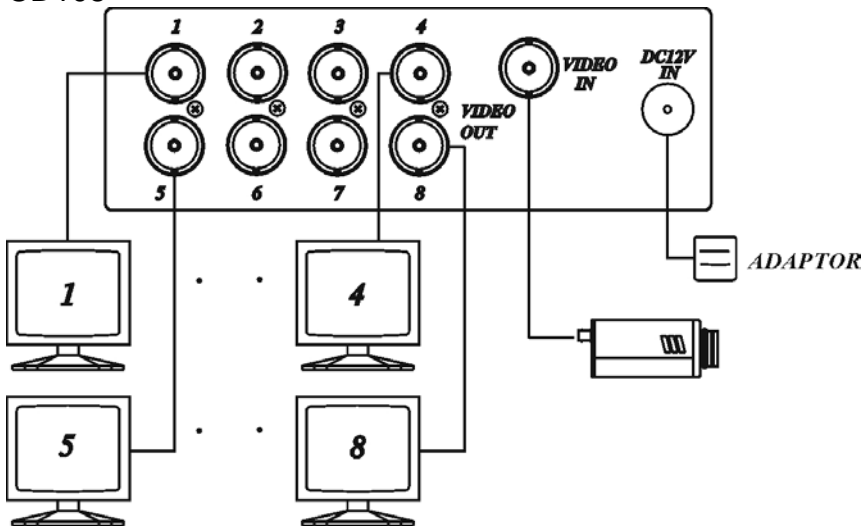
CD108 is a video distributors with one or multi video input to multi output. It is suitable for different floor in a building or different electrical field.

CD108 1 Input to 8 Output Video Distributor Feature

- It can be connected video camera, multiplexer, VCR, DVR...etc.
- Power supply included.

Installation View:

CD108



Specifications:

ITEM NO.	CD108
Video Input Channel	BNC x 1
Video Output Channel	BNC x 8
Video Input Level	0.8~1.2Vp-p, 75 Ohms
Video Output Level	1Vp-p (Standard), 75 Ohms
Video Bandwidth	10hz - 10MHz
Power Supply	DC12V 500mA / DC12V
Power Consumption	150mA
Temperature	Operation: 0 to 55°C, Storage: -20 to 85°C, Humidity: up to 95%
Dimensions mm	133 x 87 x 44
Weight g	445

RoHS CE FC

Rev. B