

19" 1U Rack Mounting Multi Port Video Transceivers Hub

ITEM NO.: TPP016, TPA008, TPA008H, TPA016, TPA016H

TPP016, TPA008, TPA016 are multi video transceivers to be install onto one compact 19" wide 1U panel, Panels can reside in the same rack as other equipment, such as switchers, multiplexers, DVR, video conferencing equipment, etc. They are perfect for larger CCTV installations and ideal for security monitoring stations.



Features:

TPP016 16 Port Passive Transceiver Hub In 1U Rack Mounting Panel

- Built in 16 port passive transceivers in 1U 19" rack mounting panel.
- As a rack mounting passive transmitter hub, use with TTA111AVR/ TTA111VR receiver at distance up to 1000 meters.
- Passive, no power required.
- Built in a highly balanced mode of video transmission for extra interference immunity.

TPA008 8 Port Active Receiver Hub In 1U Rack Mounting Panel

- Built in 8 port TTA111VR active receivers in 1U 19" rack mounting panel.
- **Easy setting with 2 adjustments for color gain and brightness.**
- Built in a highly balanced mode of video transmission for extra interference immunity.
- Built in transient protection and ground lifting.

TPA008H 8 Port Active Receiver Distribution Amplifier In 1U Rack Mounting Panel

- Built in 8 port TTA111VR active receivers in 1U 19" rack mounting panel.
- **Easy setting with 2 adjustments for color gain and brightness**
- **8 input (UTP screw-terminal input) to 16 output (BNC)**
- **Built in surge protection and ground loop isolation into each channel.**
- Built in a highly balanced mode of video transmission for extra interference immunity.
- Perfect to work with DVR.

TPA016 16 Port Active Receiver Hub In 1U Rack Mounting Panel

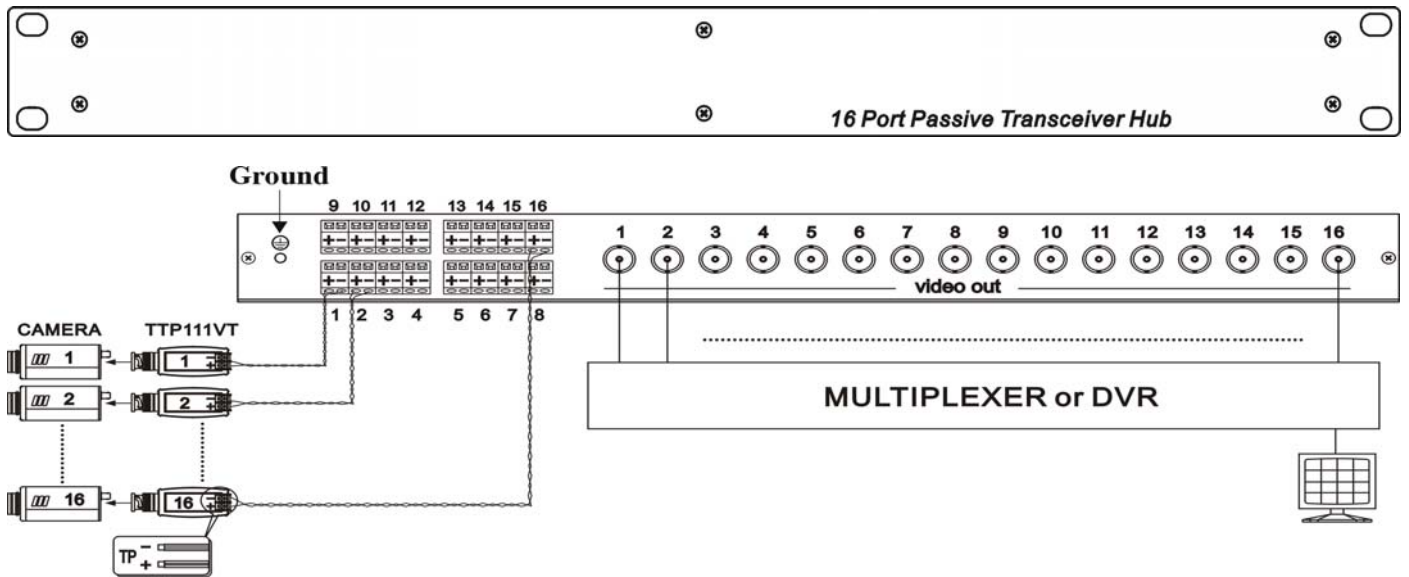
- Built in 16 port TTA111VR active receivers in 1U 19" rack mounting panel.
- **Easy setting with 2 adjustments for color gain and brightness.**
- Built in a highly balanced mode of video transmission for extra interference immunity.
- Built in transient protection and ground lifting.

TPA016H 16 Port Active Receiver Distribution Amplifier In 1U Rack Mounting Panel

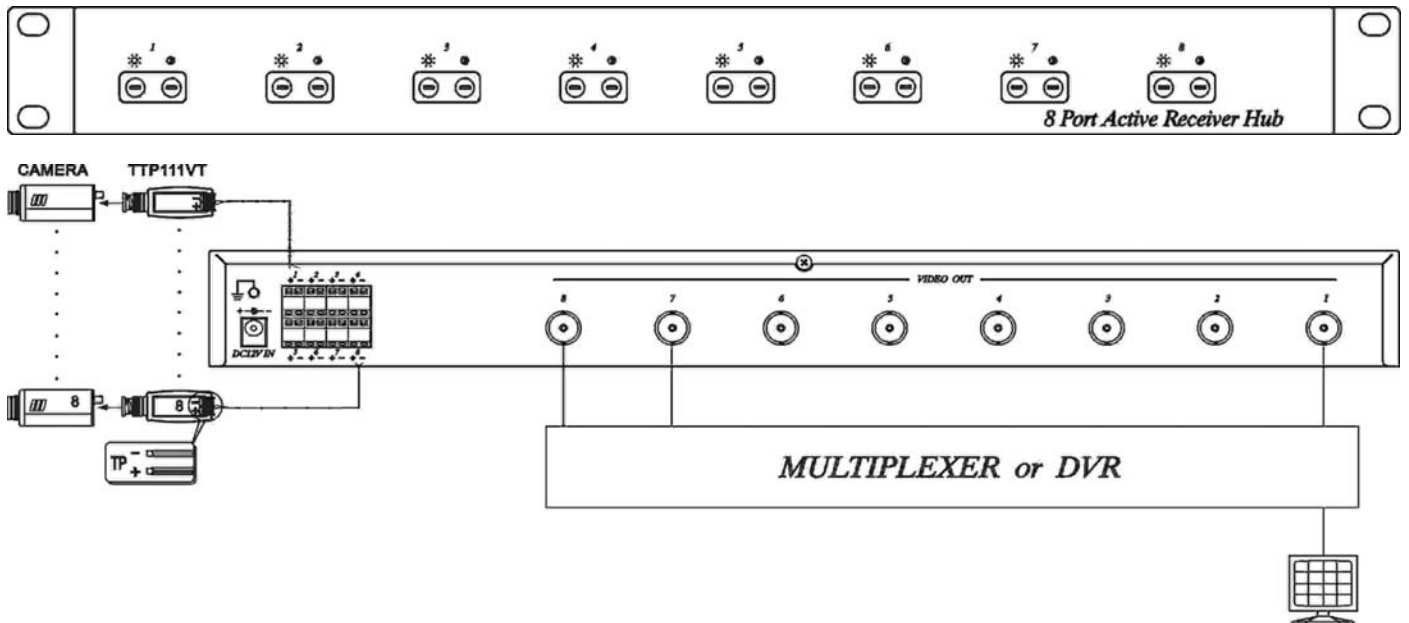
- Built in 16 port TTA111VR active receivers in 1U 19" rack mounting panel.
- **Easy setting with 2 adjustments for color gain and brightness.**
- **16 input (UTP screw-terminal input) to 32 output (BNC)**
- **Built in surge protection and ground loop isolation into each channel.**
- Built in a highly balanced mode of video transmission for extra interference immunity.
- Perfect to work with DVR.

Installation View:

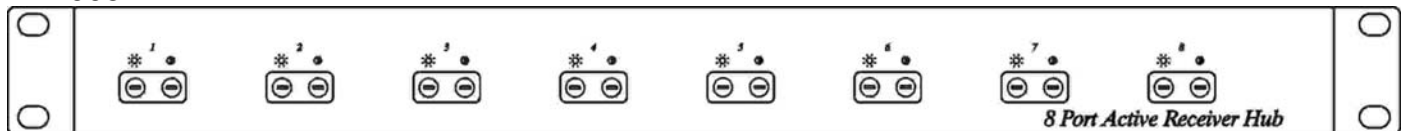
TPP016

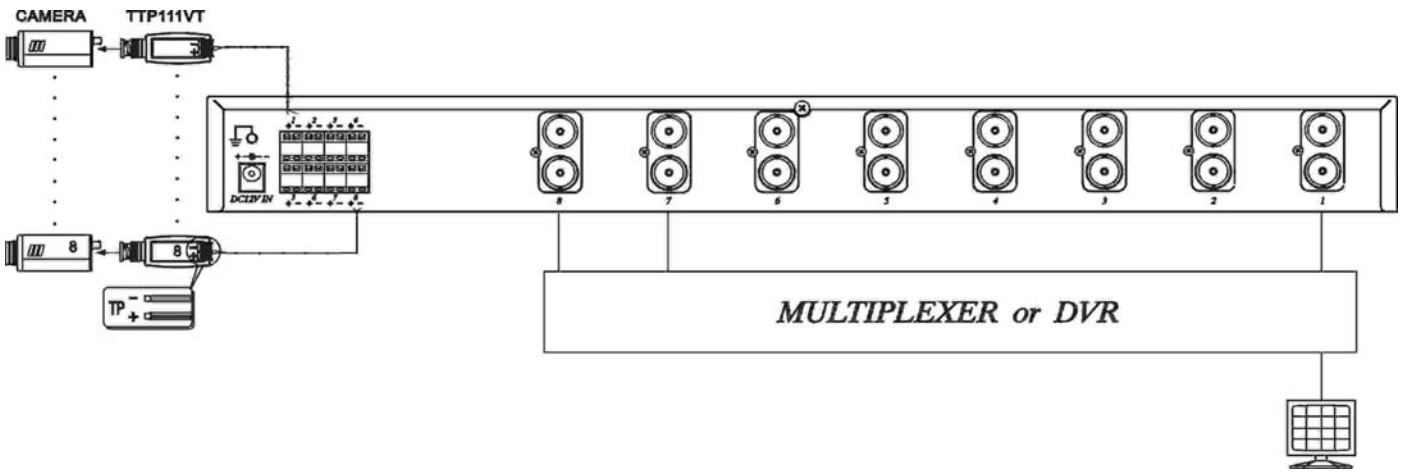


TPA008

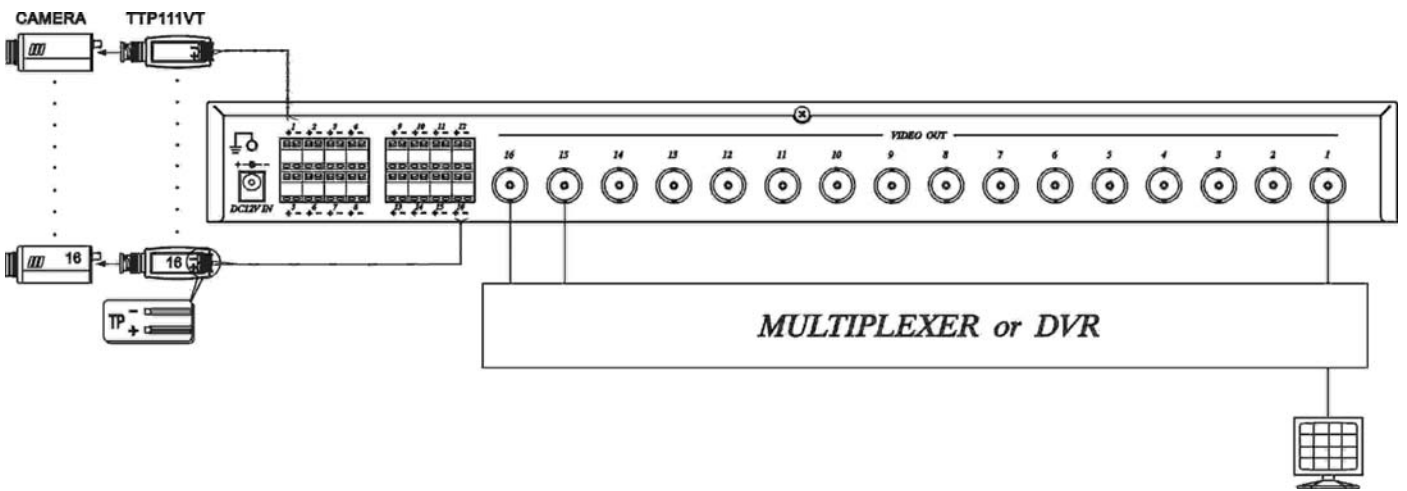
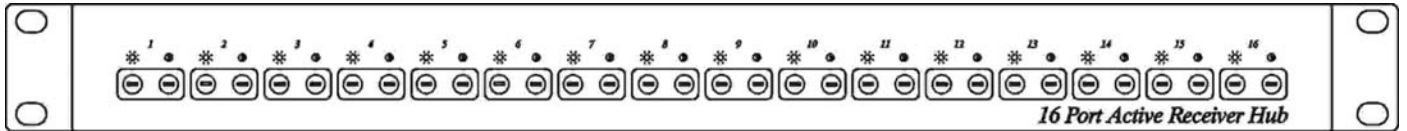


TPA008H

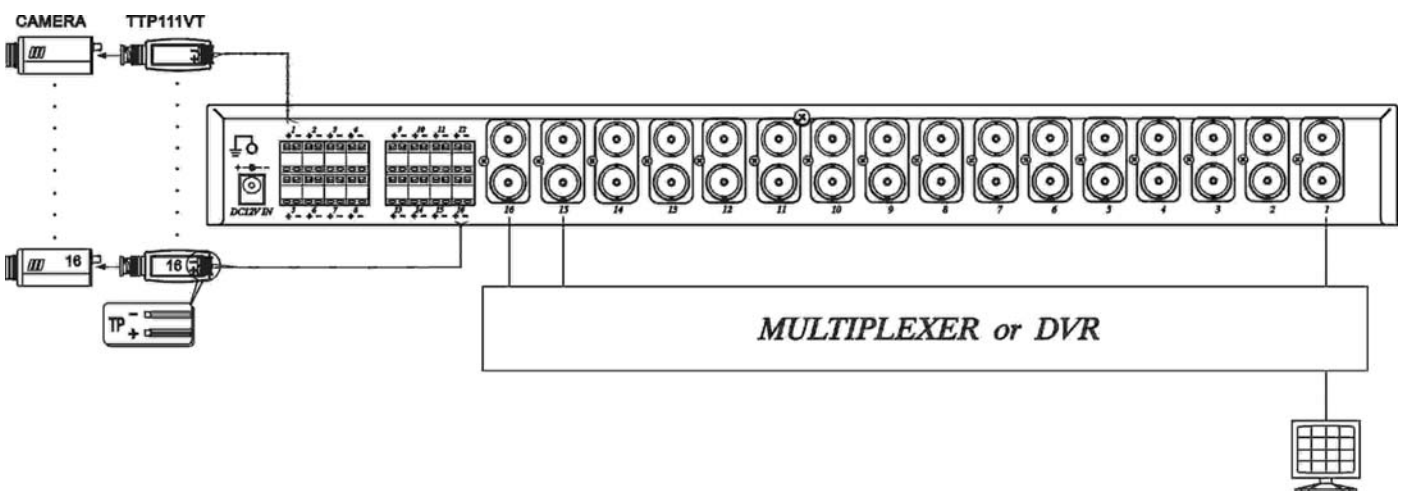
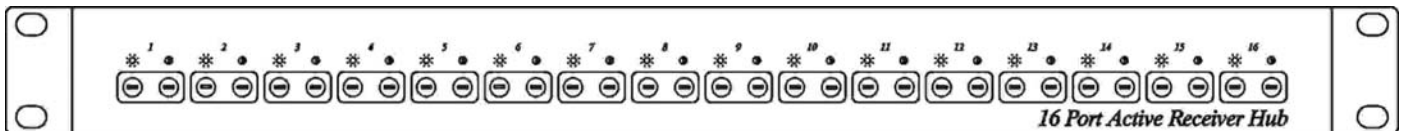




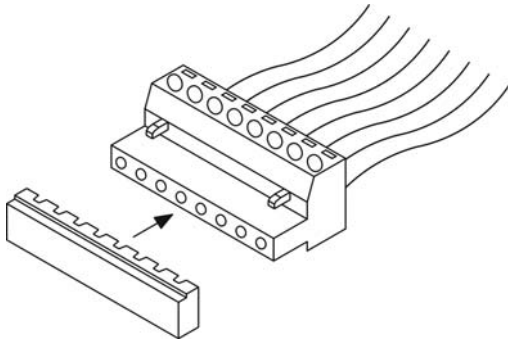
TPA016



TPA016H



Please note “+”, “-” of signal and cable, if confuse them, picture would be not clear or twisted.



Removable Terminal Block For Easy Installation

Specification:

ITEM NO.	TPP016	TPA008	TPA008H	TPA016	TPA016H
Video Input Port	16 Port (Terminal Block)	8 Port (Terminal Block)	8 Port (Terminal Block)	16 Port (Terminal Block)	16 Port (Terminal Block)
Video Output Port (BNC Connector)	16 Port, 1Vp-p, 75 ohms	8 Port, 1Vp-p, 75 ohms	16 Port, 1Vp-p, 75 ohms	16 Port, 1Vp-p, 75 ohms	32 Port, 1Vp-p, 75 ohms
Power Input	DC12V				
Power Consumption	X	400mA	400mA	500mA	500mA
Recommend Cable	CAT 5 Cable 4 Pairs (24 AWG)				
Power Adapter	Included				
Dimension W x H x D mm	482x170X44 (1U)				
Weight g	2200	2200	2200	2720	2720
Material	Metal Black				