

Long Range Twisted Pair Transmission System – Active Series

ITEM NO.: TTA111AV (TTA111AVT + TTA111AVR)

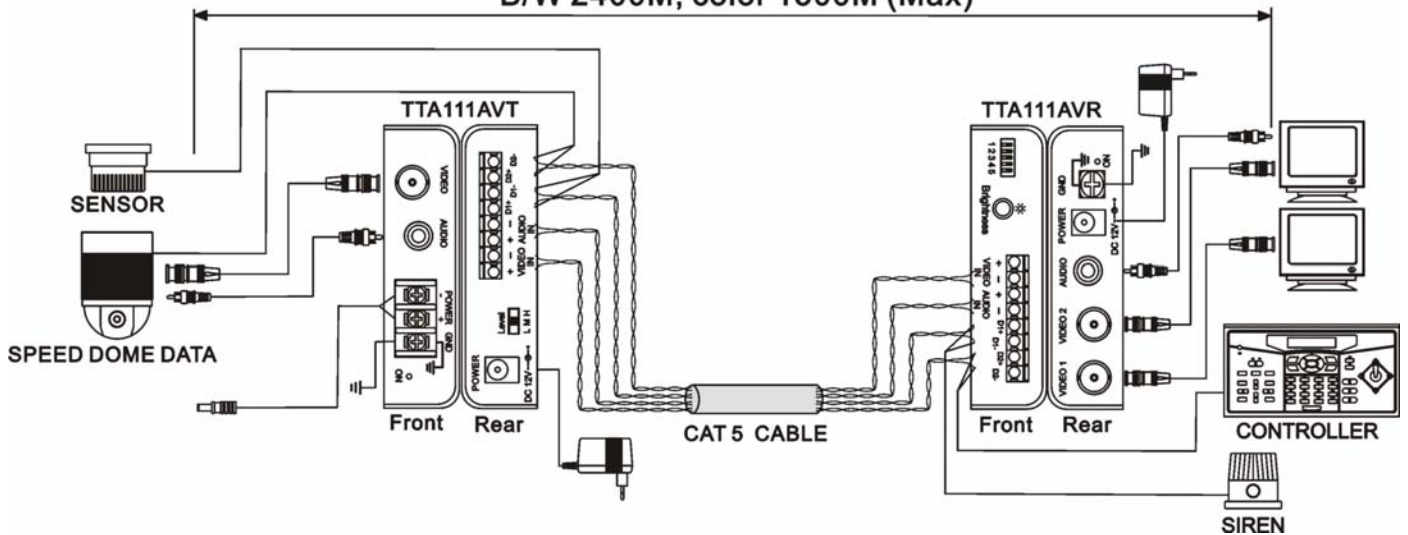
Features:

- Transmit a full motion color or monochrome video signal and data signal (RS422, RS485), audio, Color range 1500 meters, B/W video signal up to 2400 meters.
- Three position range switch for gain select on Transmitter TTA111AVT,
- Five position distance range switch on Receiver TTA111AVR.
- System is integrated with alarm sensor (PIR, Magnetic, etc.) or data (Pan, Tilt, Zoom).
- Built in transient protection and ground lifting, damaging voltage spike problems are eliminated.
- Red LED: Power on / off .
- Green LED: Video receive/loss.
- Power supply included.

Installation View

TTA111AV: TTA111AVT, TTA111AVR

B/W 2400M, color 1500M (Max)



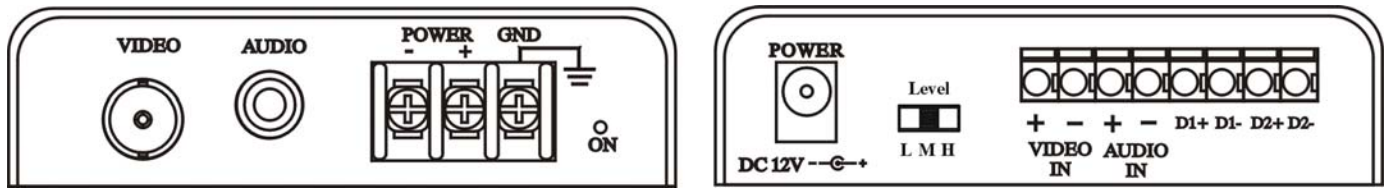
Troubleshooting:

All transmission distances mentioned above are without connecting image processor (e.g. Quad, Multiplexer, DVR), the transmission range would be reduce 100-200meters upon different camera, cable,DVR...ect.

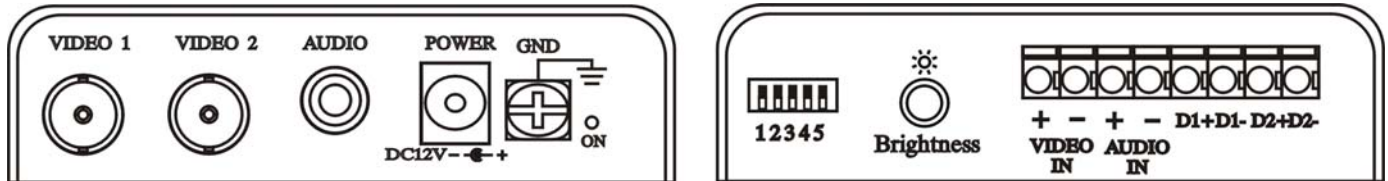
1. These products are designed for long range transmission, the unit built in video amplifier function, If your transmission range under 100 meters, the video gain function is too big to have snow or wavy, bright image occurred. Recommend to use them with range at least over 100 meters or alternate passive video transceivers TTP111 series for short range transmission as well as cost saving.
2. The active receiver has "5 position distance range switch" for different range transmission. Please switch to appropriate range upon your application to avoid any weak or bad image.


Panel View

TTA111AVT



TTA111AVR

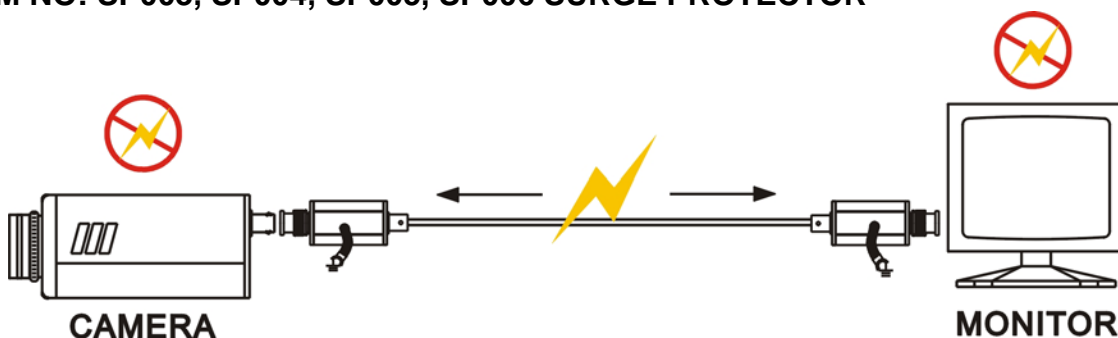


VIDEO GAIN ADJUSTING (Receiver)		RJ - 45 Jack											
	Press 1 0~300M	Press 4 900~1200M	PAIR 1	PAIR 2									
	Press 2 300~600M	Press 5 1200~1500M	PAIR 3	PAIR 4									
	Press 3 600~900M		JACK POSITION										
			1	2	3	4	5	6	7	8			
			W-O	O	W-G	BL	W-BL	G	W-BR	BR			
											PIN	Color	Function
											1	W-O	D1-
											2	O	D1+
											3	W-G	Audio +
											4	BL	D2+
											5	W-BL	D2-
											6	G	Audio -
											7	W-BR	Video +
											8	BR	Video -

OPTION:

To protect high value camera and CCTV image processor/monitoring equipment destroyed from high voltage surges from nearby lightning strikes, the long-range twisted pair cable go through outdoors. To add surge protection SP003-SP006 device on the back of camera and front of CCTV image processor/monitoring equipments. Small money to save high value CCTV equipments.

ITEM NO: SP003, SP004, SP005, SP006 SURGE PROTECTOR



Recommend WT104PE Outdoor CAT 5 STP Twisted Pairs cable with PE jacket and steel wire, and use surge protector SP003-SP006 to avoid the damage of twisted pair system under lightning, thunderstorm weather environment.

Specification

ITEM NO.	TTA111AVT
VIDEO INPUT	1 Vp-p , 75 Ohms (BNC Connector)
DC INPUT	DC 12V
DC OUTPUT FOR CCD CAMERA	DC 12V Regulate , 300mA(max)
POWER CONSUMPTION	40mA(max)
DIMENSIONS W x H x D mm	109x77x24

ITEM NO.	TTA111AVR	
VIDEO OUTPUT	1Vp-p , 75 Ohms (BNC Connector)	
DC INPUT	DC 12V	
POWER CONSUMPTION	40mA(max)	
VIDEO GAIN ADJUSTING	Press 1 0~300M	Press 5 1200~1500M
	Press 2 300~600M	
	Press 3 600~900M	
	Press 4 900~1200M	
RECOMMENDED CABLE	CAT-5 UTP Cable 4 pair (24AWG)	
DIMENISONS W x H x D mm	109x77x24	

Remark: TTA111AV = TTA111AVT+ TTA111AVR

RoHS   