

# 19" 1U Rack Mounting 16 Port Passive Video Transceivers Hub

**ITEM NO.:** TPP016-RJ45

TPP016-RJ45 is a multi video transceivers to be install onto one compact 19" wide 1U panel, Panels can reside in the same rack as other equipment, such as switchers, multiplexers, DVR, video conferencing equipment, etc. They are perfect for larger CCTV installations and ideal for security monitoring stations.

## TPP016-RJ45 16 Port Passive Transceiver Hub In 1U Rack Mounting Panel

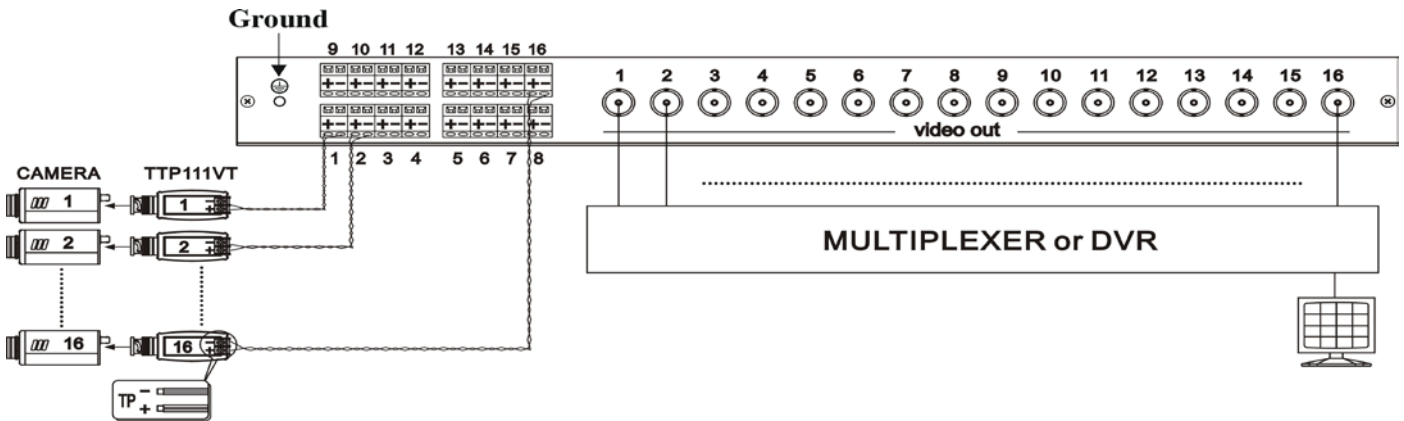
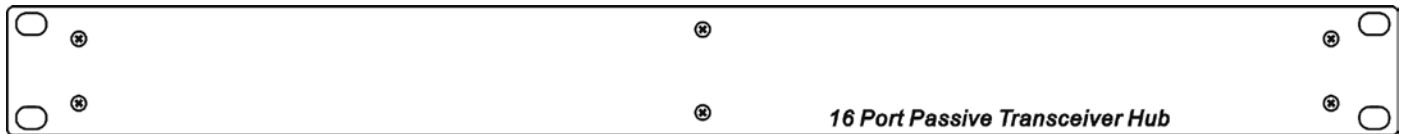
**Features:**

- Built in 16 port passive transceivers in 1U 19" rack mounting panel.
- 4 x RJ45 connector for 16 channel video input.
- As a rack mounting passive transmitter hub, use with TTA111AVR/ TTA111VR receiver at distance up to 1000 meters.
- Passive, no power required.
- Built in a highly balanced mode of video transmission for extra interference immunity.
- Use with TTP414V or use with TTP111VPD-RJ45+TDP016 for a professional RJ45 cabling solution.



### Installation View:

#### TPP016-RJ45



### RJ-45 Jack Pin Define

RJ - 45 Jack		
PIN	Color	Function
1	W-O	Video1 +
2	O	Video1 -
3	W-G	Video2 +
4	BL	Video3 -
5	W-BL	Video3 +
6	G	Video2 -
7	W-BR	Video4 +
8	BR	Video 4-

**Specification:**

<b>ITEM NO.</b>	<b>TPP016-RJ45</b>
Video Input Port	4 x RJ45 connector for 16 Port
Video Output Port (BNC Connector)	16 Port, 1Vp-p, 75 ohms
Power	No power need
Recommend Cable	CAT 5 Cable 4 Pairs (24 AWG)
Power Adapter	Included
Operating Temperature	-20 ~ 70°C
Dimension W x H x D mm	482x170X44 (1U)
Weight g	2200
Material	Metal Black