

INSTRUCTIONG MANUAL VIRBRTION METER VC63B  
FUNCTION AND APPLICATION  
SPECIFICATION

Vibration meter VC63B is composed of acceleration transducer and digital measurement display circuit. It is used to measure vibration displacement(peak-to-peak displacement) ,RMS of vibration velocity and acceleration of rotating machinery. It' s measured value can be latched, When the voltage is low, the screen will be prompted to. In a minute if there is no measurement, it will automatically shut down. It' s wide measuring range, easy to operate and carry, etc. Therefore, it is an ideal instrument inspection.

SPECIFICATION

1.measurement range:

acceleration :  $0.1\sim 199.9\text{m/s}^2$  (Semi-peak)

velocity:  $0.1\sim 199.9\text{mm/s}$  (RMS)

displacement amplitude:  $1\sim 1999\mu\text{m}$  (peak to peak)

2. frequency response:

acceleration :  $10\text{Hz}\sim 1000\text{Hz}$  ,  $\leq \pm 10\%$

velocity:  $10\text{Hz}\sim 500\text{Hz}$ ,  $\leq \pm 10\%$

displacement amplitude:  $10\text{Hz}\sim 200\text{Hz}$ ,  $\leq \pm 10\%$

3. Linearity and Accuracy

Displacement:  $0\sim 20\mu\text{m}$ ,  $\leq \pm 10\%$

$>20\mu\text{m}$ ,  $\leq \pm 5\%$

Velocity:  $0\sim 2.0\text{mm/s}$ ,  $\leq \pm 10\%$

$>2.0\text{mm/s}$ ,  $\leq \pm 5\%$

Acceleration :  $0\sim 2.0\text{m/s}^2$ ,  $\leq \pm 10\%$

$>2.0\text{m/s}^2$ ,  $\leq \pm 5\%$

4.display : Three semi-digital liquid crystal display

5.power supply: laminated battery (9V),one piece

6.Low voltage indication: When the battery voltage drops below 5.5V, the screen will prompt low voltage, then replace the battery with new one.

In a minute if there is no measurement, it will automatically shut down.

7. Hold function: The displayed vibration value is frozen and kept for one minute after the MEAS button is released .

8. Environmental:Environment temperature :  $0\sim 40\text{ }^\circ\text{C}$

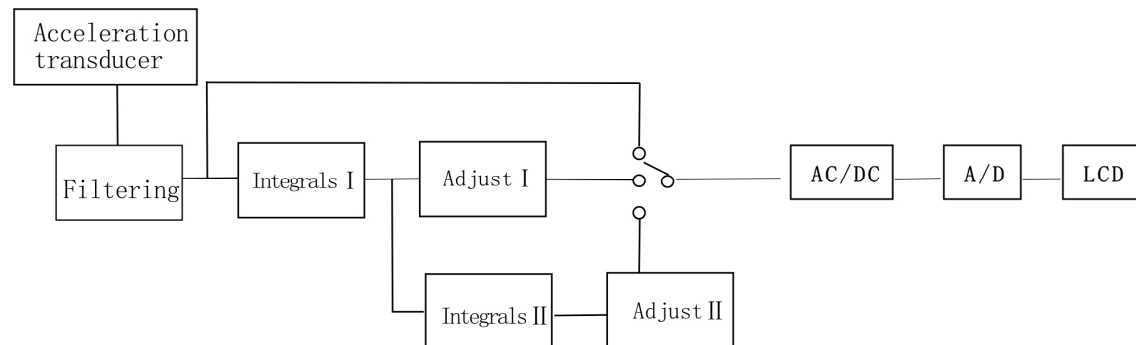
relative humidity:  $\leq 80\%$

atmospheric pressure :  $75\sim 106\text{kpa}$

9. overall dimensions: 185 (H) ×68 (W) ×30 (D) mm

10. Weight: 380g(including battery)

## PRINCIPLE



## OPERATION

Loading battery

### 1. Loading battery

Open the battery compartment Lid, load a 6F22 battery in the battery compartment with correct polarity ,close the Lid.

### 2. Checking Battery Voltage

Press the MEAS button and observe the display. If a battery mark appears on the display(left side),replace the battery with new one. If no such mark appears, the meter is ready for measuring.

### 3. Setting Measurement Mode

Select the acceleration, velocity or displacement measurement mode with the mode selector. The selected mode is indicated by the arrow on the right of the display.

### 4. Measurement

Magnet to the object' s Vibration vertical cross-section.

Link of the sensor insert the input socket of the sensor, **Press the MEAS button(power on) and keep the button depressed**, the vibration value is now indicated on the display. By releasing the MEAS button, vibration value at that moment is frozen on the display .Now you can detach the probe from the object and read the displayed value.

### 5. Press MEAS button again to reset the hold function and repeat measurement.

## NOTICE

It can not in a strong magnetic field, corrosive gas and massive attack environment .

Instrument and the sensor is the whole structure, can not close down and not making arbitrary adjustment on the internal potential.

when displayed cell to replace the mark, replace the battery.

When the instrument are used for a long time , please take out the battery, and avoid corruption.

#### COMMON FAULTS

common faults	The most likely cause
Power on doesn' t work	battery plate poor contact
no signal input	signal wire break
Switch gear double-headed arrows are displayed	toggle switches don't pull the place
Show jumping or wrong	switch bad or toggle switches don't pull the place