

Composite Video with Audio Matrix Switcher

ITEM NO.: CS04M

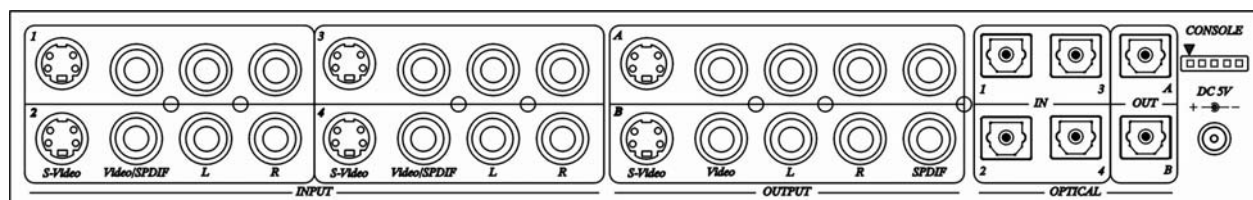
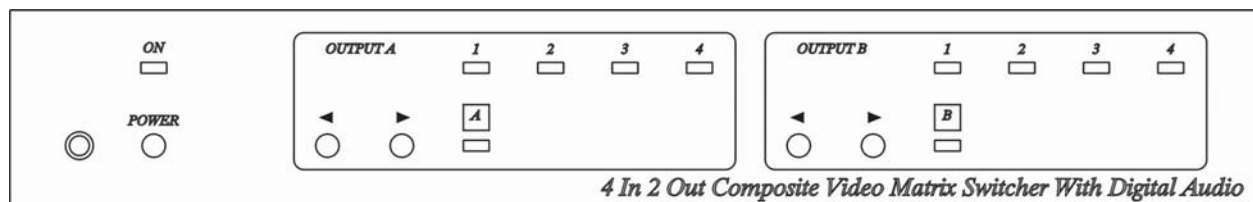
Our composite video switcher allows four different component video and stereo or digital audio sources to share two video displays. Manage multiple video sources manually or remotely with this convenient unit. With optional PC remote control by USB, RS232 and RS485 terminal devices.



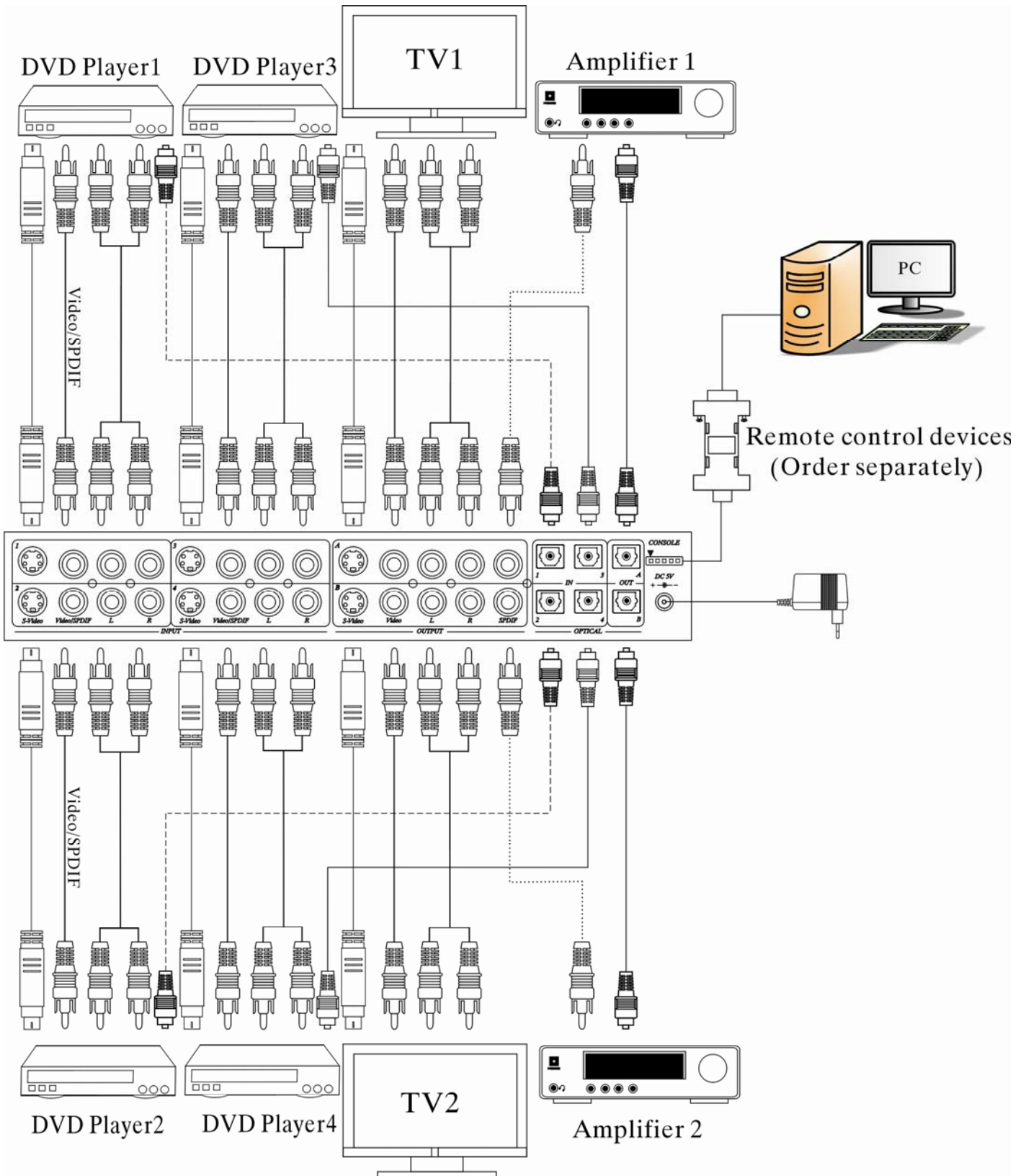
CS04M 4 Input 2 Output Composite Video Switcher With Stereo/Digital Audio

- Connect up to 4 A/V sources to two display monitors.
- 4 set S-Video, Composite Video, Analog Audio and Fiber Digital Audio input.
- 2 set S-Video, Composite Video, Analog Audio and Coax/Optical Digital Audio output.
- S-Video could be converting to composite video.
- Optical digital audio could be converting to coax digital audio.
- Each display can view any input independently.
- Built in auto scan switching input function, to automatically select the next one with the signal of the input.
- Built in auto jump function, to automatically select the new video input.
- LED display shows which input is selected for each of the 2 outputs
- Built in memory function.
- Built in 2 sets of 2 buttons for channel change.
- Easy to use front panel control of switching or using the included remote control.
- The switcher box is the ideal for all of devices, offering both high-definition video and audio switching capability.
- PC Remote control option: USB、RS-232 or RS-485 terminal devices. (Order separately).

Panel View:



Installation view:



Specification:

ITEM NO	CS04M
Video Standard	NTSC/PAL
Video Bandwidth	0-10MHz (-3dB)
Video/SPDIF Input	RCA 75Ω 1Vp-p
Video Output	RCA 75Ω 1Vp-p
Analog Audio Input / Output	RCA STEREO, 10KΩ, 3Vp-p (Max)
Analog Audio Bandwidth	20KHz (-3db)
SPDIF Output	RCA 75Ω 1Vp-p
Optical Input / Output	Toslink Square
Power Supply	5V DC 1000mA Regulated (External)
Power Consumption	500mA(Max)
Temperature	Operation: -10°C~45°C, Storage: -30°C~70°C
Dimensions	253×145×40 (mm)
Shipping Weight	660 g

RoHS   

LED Indication:

Power	ON/OFF	
	FLASH	Panel button or IR remote control disabled by remote PC.
1, 2, 3, 4	ON	Currently selected input channel
	FLASH	No video signal input
	1-4 FLASH	Auto switching function activated
A	ON	IR remote control output A setup (Mode A operating mode)
B	ON	IR remote control output B setup (Mode A operating mode)
A&B	ON	IR remote control direct output A & B setup (Mode B operating mode)

Panel Button Function:

Power	ON/OFF.
[<]	Short press: Select the previous input channel
	Long press: Select the previous input channel and activates the auto scan mode
[>]	Short press: Select the next input channel
	Long press: Select the next input signal and activates the auto scan mode
[<] & [>]	Press together: On or Off auto switching function
[Power] & [<]	Press together: Increase LED brightness level
[Power] & [>]	Press together: Decrease LED brightness level

Remote Control Operating A,B Mode Switching:

There are two remote control operating modes: When this device power on, you could switch A,B mode by pressing the CS04M front panel "power" and remote control " *" button together.

Mode A operating mode: It come with auto scan & auto jump functions.

Mode B operating mode: When auto scan & auto jump functions no need to use, which only need single button for quick operation on AV switch.

Mode A Operating mode:

Power symbol	Power ON/OFF switch
*	Select A or B output control.
▲	Select the previous input signal channel and activates the auto scan mode
▼	Select the next input signal and activates the auto scan mode.
1, 2, 3, 4	Setup output by appointed input of channel number and disable the auto scan function.
0	switch to auto jump function.
#	Setup LED brightness level.

Mode B Operating mode:

Power symbol	Power ON/OFF switch
▲	Power ON.
▼	Power OFF.
1, 2, 3, 4	Power ON, selects 1-4 channel input for output A, disables the auto scan and auto switching function.
5, 6, 7, 8	Power ON, selects 1-4 channel input for output B display (5=1, 6=2...); disables the auto scan and auto switching function.
#	Setup LED brightness level.

Auto Scan Function:

Under auto scan operation, If the selected input video signal disappeared over 0.5 seconds, it will automatically to select the previous or next input with video signal.

Auto Switching Function:

Under auto switching (Auto Jump) operation, any new video signal input, the output will automatically switch to a new video signal.

Composite Video and Coax Digital Audio Input:

Composite Video / SPDIF input could accept Composite Video signal or Coaxial Digital Audio (SPDIF) signal, it will auto detect for correct output.

Video and Digital Audio Auto Conversion:

If Composite Video / SPDIF input not video signal, it will auto convert S-Video input to Composite Video output.

If Composite Video / SPDIF input not audio signal, it will auto convert digital optical audio signal for coaxial output.

LED brightness setting:

LED brightness could be set up as the following 4 levels:

- 1 Minimum Brightness
- 2 Normal Brightness
- 3 Maximum Brightness
- 4 Brightness auto change

Factory default is set to level 3.

Under Brightness auto change mode, press any button or IR remote control, or video signal changed (video signal disappears or show up), LED status will show the maximum brightness up to. 5 seconds then back to the minimum brightness.

Computer Remote Control Function:

This console could use optional USB, RS-232 and RS-485 terminal cable to connect with computer, To use terminal program for remote control operation, the communication format is 9600,8,N,1 (9600 Bps, 1 start bits, 8 data bits, 1 stop bit).

Under remote control operation, If it shows 「COMMAND」, then it is "under command mode". It could easily be operated and set by entering the following commands in the chart.

Press「Enter」: if it shows 「OK!」 then the previous command is completed; showing 「ERROR!」 indicates the previous command is incorrect.

Command Mode Instruction:

[COMMAND]	[DESCRIPTION]
n OUT x	Select input n at output x.
x NEXT	At output x, then select next input.
x PRE	At output x, then select previous input.
x SCAN y	Output x auto scan on/off.
x JUMP y	Set output x auto jump on/off.
ACTIVATE	Power on.
STANDBY	Power off.
SELECT x	Select IR operation for output x.
IR y	IR remote control on/off.
KEY y	Panel lock/unlock.
LED n	Adjust LED brightness.
SAVE	Save Setting.
LOAD	Load Setting.
KEYPAD	Keypad mode operation.
SIGNAL	Input signal status.
STATUS	Display setting.
VERSION	Display firmware version.
?	Show all commands.

[SYMBOL]	[PARAMETER]
n	1 2 3 4
x	A B
y	ON OFF

Space characters between the command and parameters can be ignored.

Virtual Remote Control Mode:

Showing 「KEYPAD :」 when it is under virtual remote control mode, which you could enter the following commands at the terminal to simulate the IR remote control operation.

Press「Enter」: if it shows 「OK!」 then the previous command is completed; showing 「ERROR!」 indicates the previous command is incorrect.

Virtual Remote Control Operation Instruction:

[COMMAND] =	[BUTTONS ON REMOTE CONTROL]	[DESCRIPTION]
-------------	---------------------------------	---------------

/ or P	power symbol	
*	「*」.	
-	「▲」.	
+	「▼」.	
0 – 9	「0」 – 「9」.	
.	「#」.	
Q operating mode		leave virtual remote control mode and back to command
S		display current system staus
?		display all current buttons which could be used