

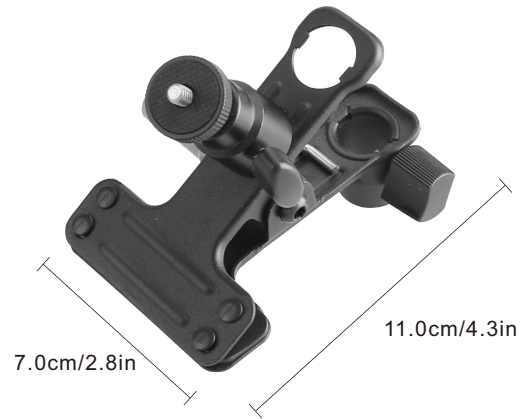


The magic life in the image world

# E-IMAGE

## EI-A06 Clamp with EI-A03 Mini Ball Head

EI-A06 spring clamp has multiple mounting points and stand adapters making it a handy grip tool for clamping reflectors, or gear. The EI-A06 also comes with a ball head (EI-A03) that will mount monitors, lights, or small cameras with its 1/4 20 thread.



### SPECIFICATIONS

	Payload	2.0kg / 4.4lbs
	Net Weight	259g / 0.6lbs

### FEATURES



- (1) 3/8" Screw holes
- (2) 1/4" Screw holes



360 degree swivel, can be adjust to any angle.



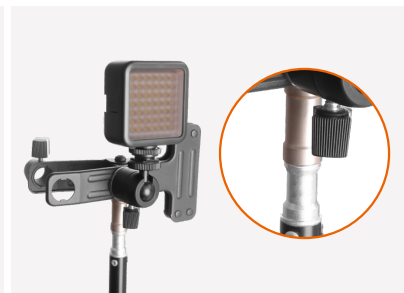
Lower the platform into the notch when need a 90-degree angle.



Usage scenario.



Usage scenario.



Usage scenario.