

# MODEL NO. : LM-1050T

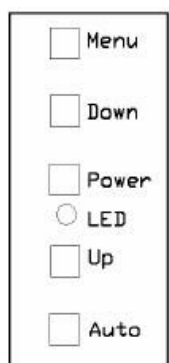
## □ SPECIFICATION □

DISPLAY SCREEN	SIZE	10.4 INCH
	Active Area	211.2(W) x 158.4 mm(H)
	ELEMENT	COLOR TFT LCD
	RESOLUTION	800 x 600
	DOT PITCH	0.264 (W) x 0.264 (H)mm
◆ POWER SOURCE	DC 12V	
◆ POWER CONSUMPTION	10W Typ.	
◆ OPERATING TEMPERATURE	0°C ~ 50°C	
◆ STORAGE TEMPERATURE	-20°C ~ 60°C	
◆ BRIGHTNESS	230 cd/m <sup>2</sup>	
◆ CONTRAST	500 : 1	
◆ OPTICAL RISE TIME/FALL TIME	10/25 Typ.	
◆ VIEWING ANGLE	Vertical +35° /-65° , Horizontal : ± 60°	
◆ PC INPUT	RGB Analogue Input 15Pin D-sub x 1	
◆ VIDEO INPUT	1Vpp 75Ω, RCA x 1, S-Video x 1.	
◆ PLUG & PLAY	VESA DDC2B	
◆ GREEN FUNCTION	VESA DPMS	
◆ OSD CONTROL FUNCTION	Brightness, Contrast, Color, Volume, Mute	
◆ OVER ALL DIMENSION	305.0 x 256.0 x 44.0 (mm)	
◆ WEIGHT	4Kgs	

## □ FEATURE □

- ◆ IP 65 Waterproof LCD Monitor
- ◆ 4 Wire Resistive Touch Screen
- ◆ Single Key Brightness Control
- ◆ Hot Key for Input Source Select

## **ON SCREEN DISPLAY SETTINGS (OSD)**



- ◆ To turn on the OSD menu: Press power button. Press Menu button.
- ◆ When OSD menu is on .
  - Select option within icon menu: Use up or down buttons.  
Then press Menu to make select.
  - Increase/decrease setting : Use up or down buttons.
- ◆ To load the presetting (default setup) :  
Use menu button and power button. (menu +power button )

## **Hot – Keys of OSD Control**

Power Button :Power on/off button.

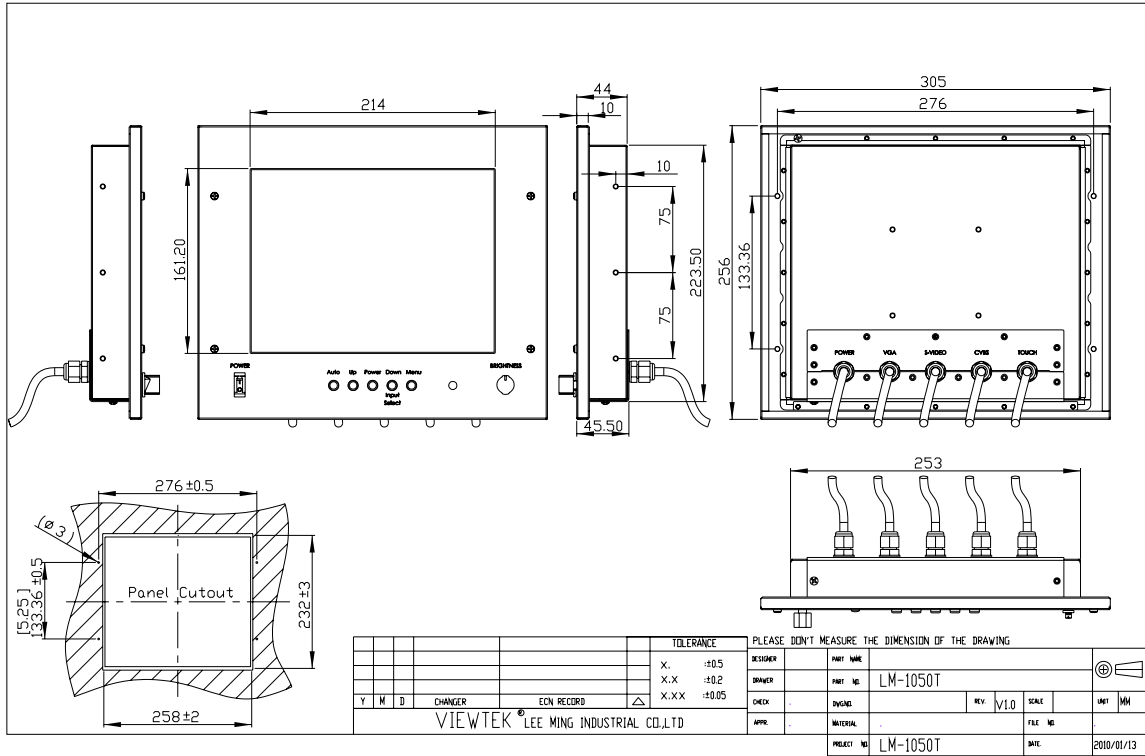
Up & down Button :Use to select the input source (VGA/Composite/S-Video),  
Press up to increase and down to decrease

Menu Button : Switch to on/off mode.

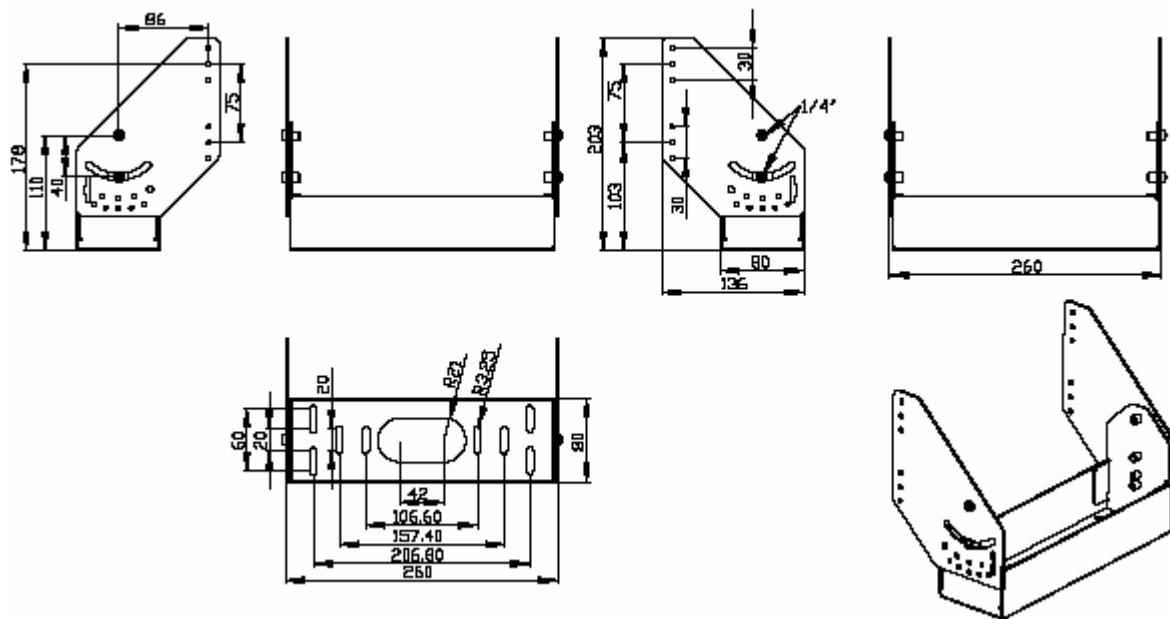
Auto Button: Auto Adjust screen position.

□ MECHANICAL DRAWING □

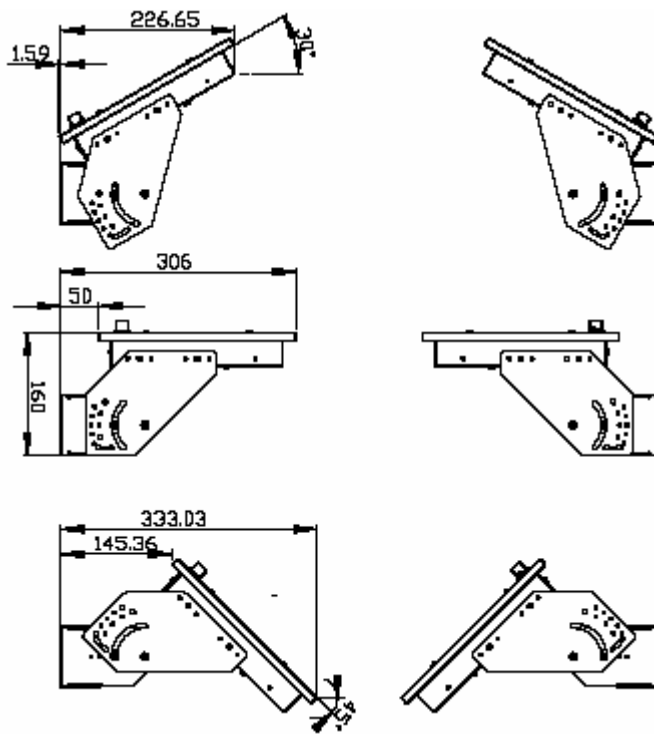
◆ MONITOR



◆ INSTALLATION BRACKET (OPTIONAL)



◆ BRACKET ADJUSTING ANGLE



□ **VGA SUPPORT TABLE** □

Resolution	Horiz. Freq.(KHz)	Vert. Freq.(Hz)	Polarity
640X350	31.46	70	+/-
	37.86	85	+/-
720X350	31.46	70	+/-
	37.86	85	+/-
640X400	31.46	70	-/+
	37.93	85	-/+
	24.82	56	-/+
720X400	31.46	70	-/+
	37.86	85	-/+
640X480	31.46	59.9	-/-
	35.00	66.6	+/-
	37.86	72.8	-/-
	37.50	75.0	-/-
	43.27	85.0	-/-
800X600	35.15	56.2	+/+
	37.87	60.3	+/+
	48.07	72.2	+/+
	46.87	75.0	+/+
	44.40	70.0	+/+
	53.67	85.0	+/+
	56.47	70.1	-/-
	58.08	72.9	
	60.02	75.0	+/+
	68.68	84.9	+/+
	63.98	60.0	-/-
	74.40	59.3	
	78.72	74.0	
	79.97	75.0	