

MODEL NO. : LM-1050

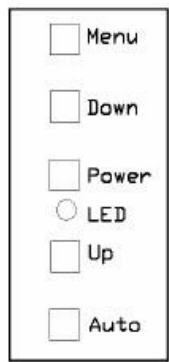
SPECIFICATION

◆ DISPLAY SCREEN	SIZE	10.4 INCH
	Active Area	211.2(W) x 158.4 mm(H)
	ELEMENT	COLOR TFT LCD
	RESOLUTION	800 x 600
	DOT PITCH	0.264 (W) x 0.264 (H)mm
◆ POWER SOURCE	DC 12V	
◆ POWER CONSUMPTION	10W Typ.	
◆ OPERATING TEMPERATURE	0°C ~ 50°C	
◆ STORAGE TEMPERATURE	-20°C ~ 60°C	
◆ BRIGHTNESS	230 cd/m ²	
◆ CONTRAST	500 : 1	
◆ OPTICAL RISE TIME/FALL TIME	10/25 Typ.	
◆ VIEWING ANGLE	Vertical +35° /-65° , Horizontal : ± 60°	
◆ PC INPUT	RGB Analogue Input 15Pin D-sub x 1	
◆ VIDEO INPUT	1Vpp 75Ω , RCA x 1, S-Video x 1.	
◆ PLUG & PLAY	VESA DDC2B	
◆ GREEN FUNCTION	VESA DPMS	
◆ OSD CONTROL FUNCTION	Brightness, Contrast, Color, Volume, Mute	
◆ OVER ALL DIMENSION	305.0 x 256.0 x 44.0 (mm)	
◆ WEIGHT	4Kgs	

FEATURE

- ◆ IP 65 WATERPROOF
- ◆ Single Key Brightness Control
- ◆ Hot Key for Input Source Select

ON SCREEN DISPLAY SETTINGS (OSD)



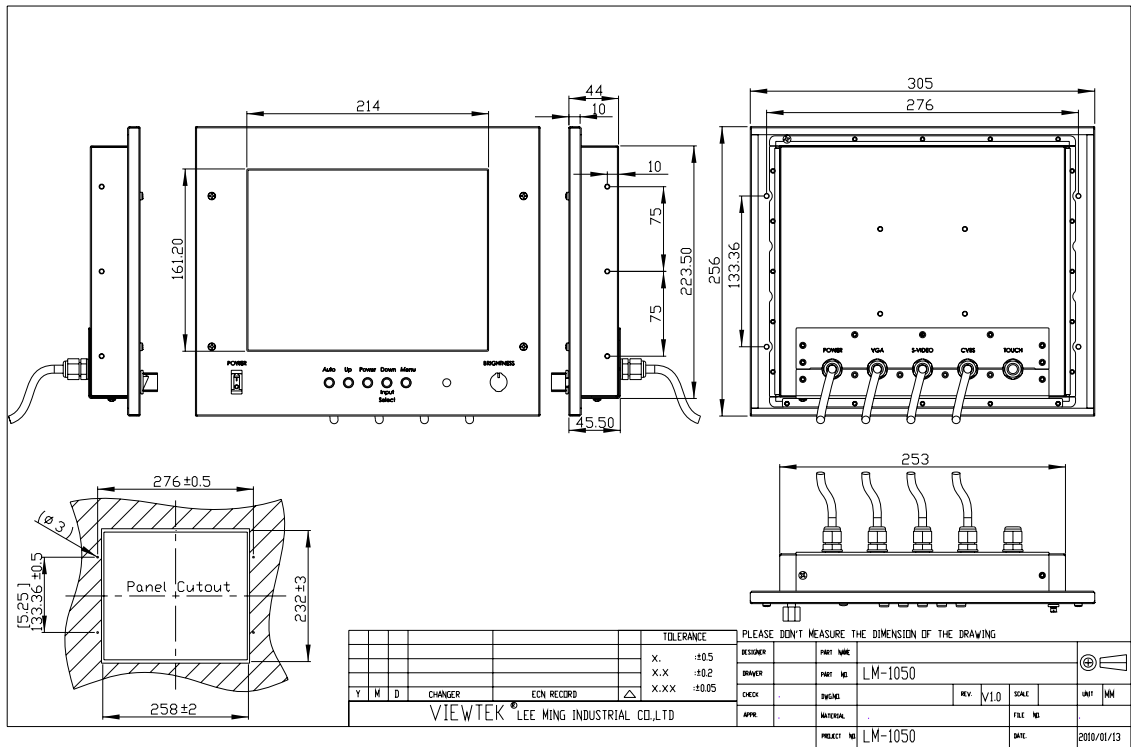
- ◆ To turn on the OSD menu: Press power button. Press Menu button.
- ◆ When OSD menu is on .When OSD menu is on .
 - Select option within icon menu: Use up or down buttons.
Then press Menu to make select.
 - Increase/decrease setting : Use up or down buttons.
- ◆ To load the presetting (default setup) :
Use menu button and power button. (Menu + Power button)

Hot – Keys of OSD Control

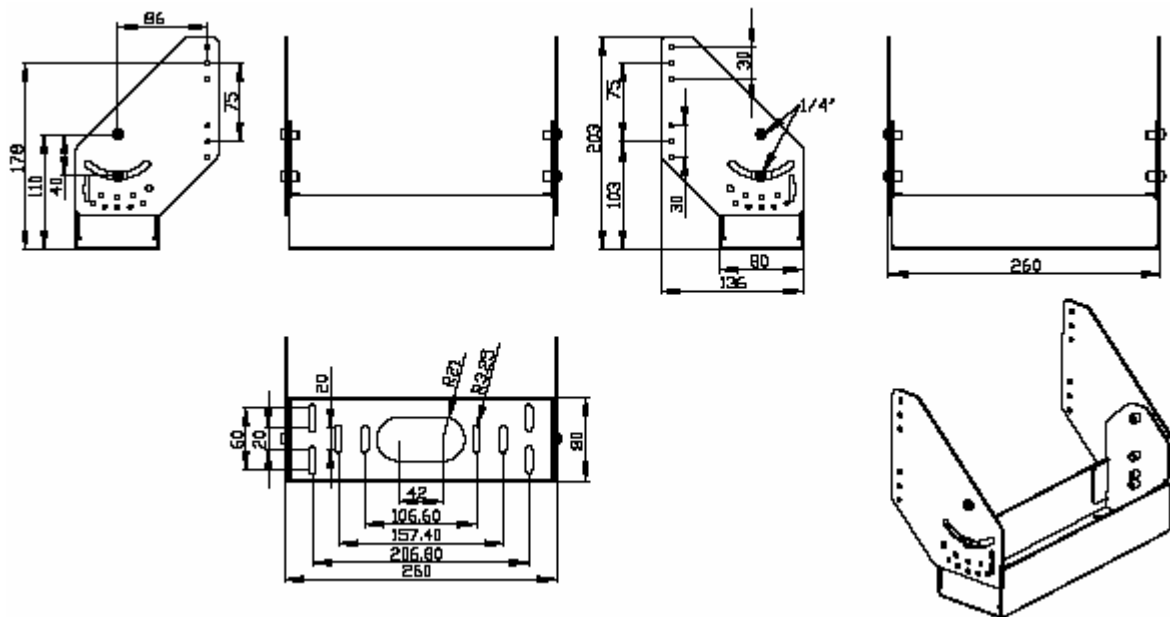
- ◆ Power Button :Power on/off button.
- ◆ Up & down Button :Use to select the input source (VGA/Composite/S-Video),
Press up to increase and down to decrease
- ◆ Menu Button : Switch to on/off mode.
- ◆ Auto Button: Auto Adjust screen position.

MECHANICAL DRAWING

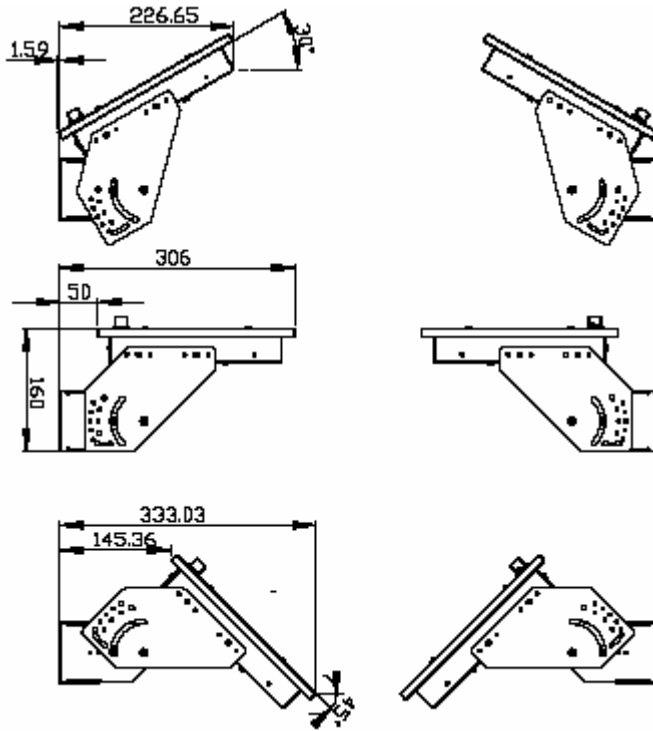
◆ MONITOR



◆ INSTALLATION BRACKET (OPTIONAL)



◆ BRACKET ADJUSTING ANGLE



□ **VGA SUPPORT TABLE** □

Resolution	Horiz. Freq.(KHz)	Vert. Freq.(Hz)	Polarity
640X350	31.46	70	+/-
	37.86	85	+/-
720X350	31.46	70	+/-
	37.86	85	+/-
640X400	31.46	70	-/+
	37.93	85	-/+
	24.82	56	-/+
720X400	31.46	70	-/+
	37.86	85	-/+
640X480	31.46	59.9	-/-
	35.00	66.6	+/-
	37.86	72.8	-/-
	37.50	75.0	-/-
	43.27	85.0	-/-
800X600	35.15	56.2	+/+
	37.87	60.3	+/+
	48.07	72.2	+/+
	46.87	75.0	+/+
	44.40	70.0	+/+
	53.67	85.0	+/+
	56.47	70.1	-/-
	58.08	72.9	
	60.02	75.0	+/+
	68.68	84.9	+/+
	63.98	60.0	-/-
	74.40	59.3	
	78.72	74.0	
	79.97	75.0	