

VGA & Stereo Audio CAT5 Extender – Built in Skew Corrector

ITEM NO.: VE02DALS

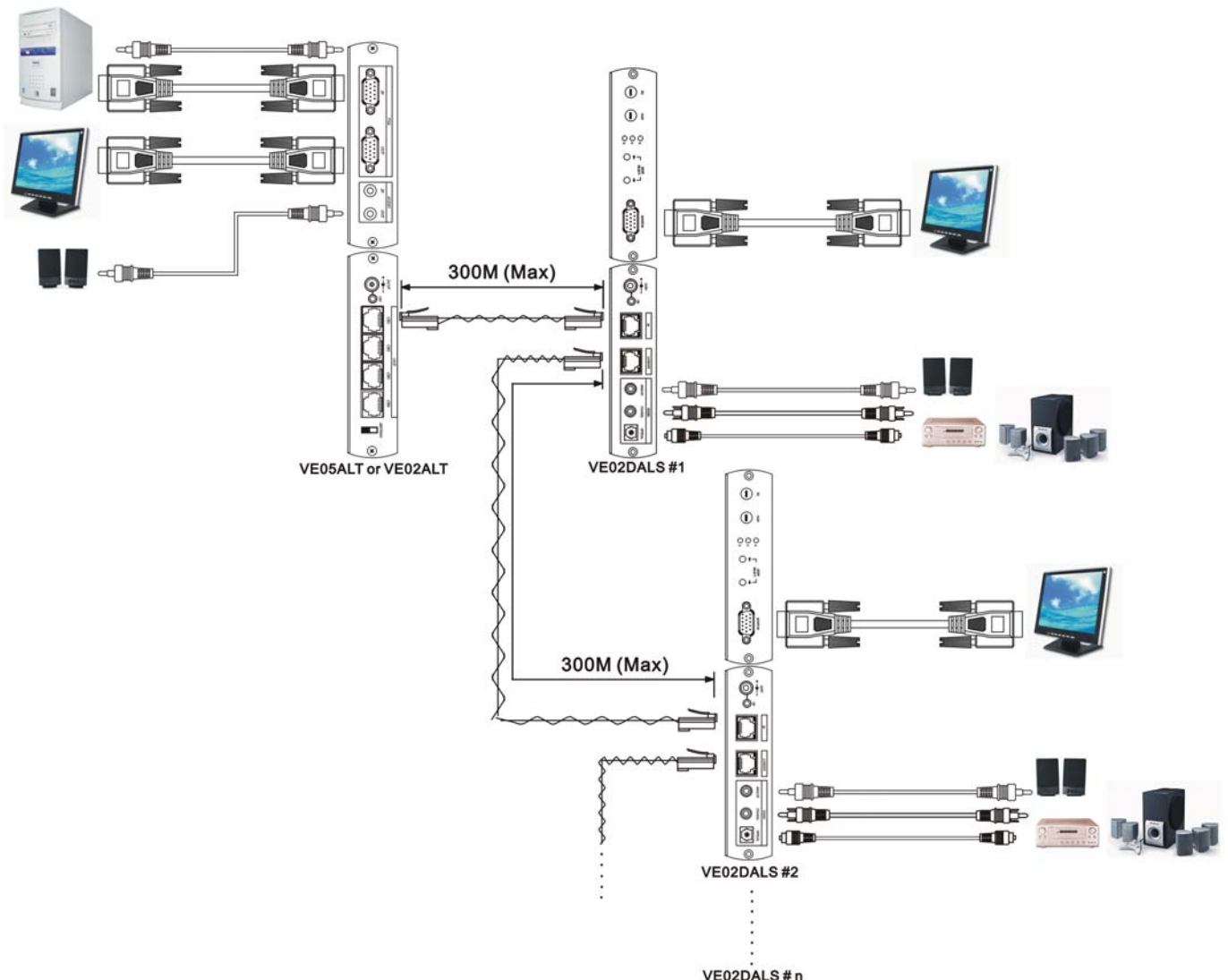
VE02DALS is a CAT5 receiver and special designed for long range transmission over cost effective CAT5 cable to instead of VGA and Audio cable and workable for all our CAT5 VGA transmitters. It's built in RGB skew adjustment for the optimum video performance under long cable run.

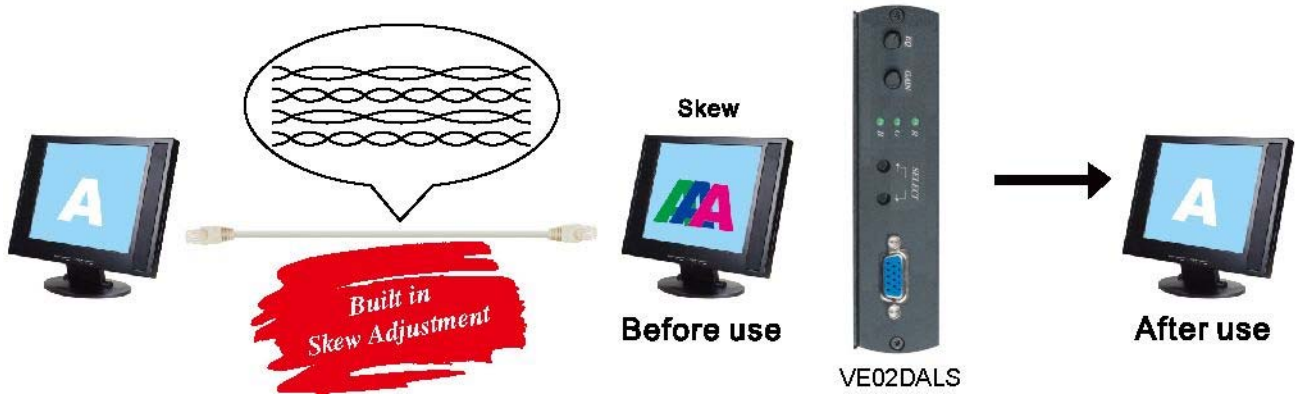
This AV Extender is the smart, fast and cost-effective, eliminates costly and bulky VGA and Audio cable and the most efficient way to move multimedia content from player to display. Used in pairs, the VGA & Audio Extender is used in Shopping malls, public address systems, airports, train & bus station, boardrooms, trade shows, computer based training application.

VE02DALS VGA & Stereo/Digital Audio CAT5 Receiver– Built in Skew Corrector

- Work with VE01T, VE02T, VE05T, VE02DAT, VE02ALT, VE05ALT CAT5 VGA transmitter as a high quality receiver.
- Built in RGB skew adjustment for the optimum video performance under long cable run.
- It could be daisy chained for another VE02DALS to extended working range over 300 meters and multiple displays.
- Built in analog audio, digital audio output (coaxial, optical)
- Built in equalization, gain adjustment.
- Supports up to 1600x1200 @85Hz.
- Digital transmission on analog stereo audio for sound undistorted.
- support LPCM 44.1K - 48K - 96K / 16bit stereo decode function, digital and analog could simultaneously output. Dolby Digital (AC3) and DTS digital output supported.

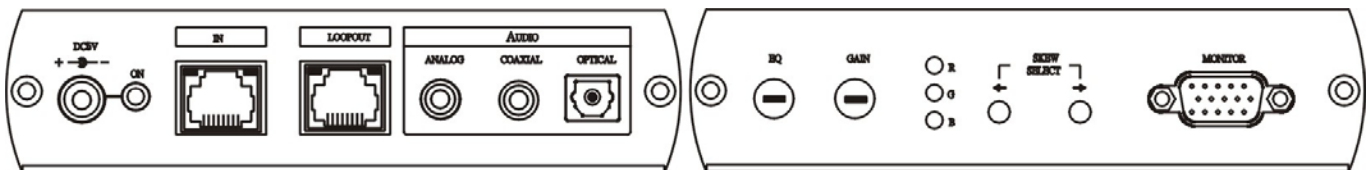
View of installation:





Panel View:

VE02DALS



Cable:

Video Link cable using hi quality CAT5E UTP/STP or CAT6 UTP cable.

Please noted STP cable could enhance noise rejection, but also less transmission range and picture sharpness quality.

RJ45 Define:

Link Cable (TIA/EIA-568-B)

1. Orange-white	Video Red +
2. Orange	Video Red -
3. Green-white	Video Green +
4. Blue	Audio -
5. Blue-white	Audio +
6. Green	Video Green -
7. Brown-white	Video Blue +
8. Brown	Video Blue -

Adjustment:

EQ : Cable length EQ adjustment for picture sharpness, clockwise turning to enhance signal, counter-clockwise to lower signal.

Gain: Video signal gain adjustment for picture brightness, clockwise turning to enhance signal, counter-clockwise to lower signal.

Skew Select ← → : Press ← → 2 buttons together to start the Skew adjustment mode.
Under skew adjustment mode: Press ← → 2 buttons together again to switch the color (RGB) you want to adjust.

Skew Select ← : reduce delay time (color move to left side)

Skew Select → : increase delay time (color move to right side)

Note: 1. Under Skew adjustment mode without any setting in 30 seconds, it will be auto off skew adjustment mode.

2. EQ, Gain, Skew adjustment also influence the picture quality of Loop Out.

LED Indication:**Blue LED:** Power on/off**Vertical 3 x LED:** Under skew adjustment mode, to indicate the color you adjust
R = Red, G = Green, B = Blue.**Link Cable Connector:****Green LED:** Audio signal lock (LED on)**Caution:**

The cabling must away from any equipment with electromagnetic wave, i.e.: microwave, radio equipment, high voltage lines.

Specification:

ITEM NO.	VE02DALS
Resolution	Up to 1600 x 1200 non-interlaced to 85 Hz
Video Bandwidth	122MHz(-3dB)
Video Output	15 Pin D-SUB x 1 (R.G.B 1V p-p 75Ω · H.V Sync TTL)
Sync Output	H/V Separated, 5V TTL
Horizontal Frequency	30-95 KHz
Vertical Frequency	50-180 Hz
VGA Connector	15-pin Mini D-Sub (High Density)
Audio Output	Analog audio: 3.5mm Stereo Phone jack 10KΩ, 3Vp-p (Max) Digital audio: Optical x 1, coax RCA x 1
Audio Bandwidth	20-20KHz (-3dB)
Skew adjustment	0 – 62ns (2ns Step)
Link Connector	RJ-45
Max Distance	Up to 1000 ft. (300M)
Power Supply	5V DC 2000mA Regulated (External)
Power Consumption	1000mA (Max)
Dimensions (mm)	125 x 95 x 30
Weight (g)	280

RoHS CE FC 