

TV555DC

[SPECIFICATIONS] High-Resolution ,11x Vari Focal Lens

Image Size: (1/3) (1/4)

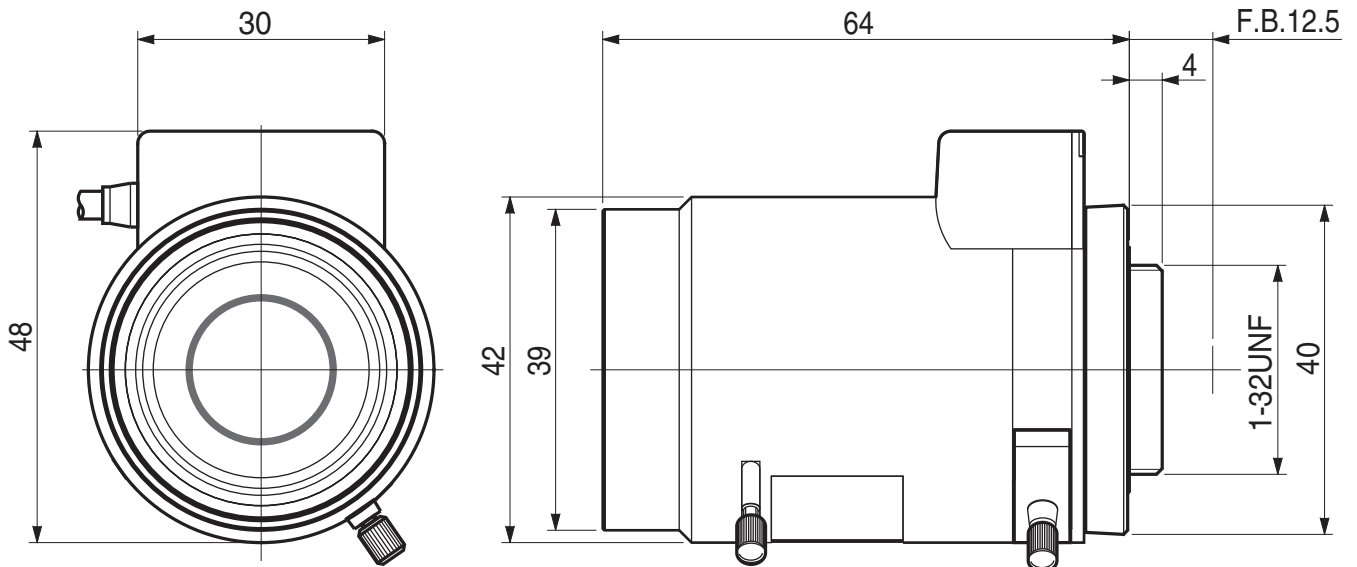
Focal Length : 5 - 55mm
 Maximum Relative Aperture : 1:1.4
 Iris : F1.4 - Approx.360
 (With ND Spot Filter)
 Angular Field of View : 53.1X40.0 deg. at 5mm
 4.8X 3.6 deg. at 55mm
 Image Format : 4.8X3.6mm (D6mm)
 Minimum Object Distance : 0.3m at 5mm
 0.8m at 55mm(From Front Vertex)

Optical Back Focal Distance : More than 10.97mm (In Air)
 Flange Back : 12.5mm
 Operation Voltage : Close to Open : Less than 4.0V
 Open to Close : More than 0.5V
 Operation : Focus : Manual
 Zoom : Manual
 Iris : IG(Auto Close System)
 Operation Temperature : -10 to +50 C °
 Mount : CS-Mount (Adjustable Lens Position)
 Size, Weight : D42X50X64mm

[COMPOSITION]

- Lens1
- Lens Cap1
- Dust Cap1

[DIMENSIONS]



* Cable length :230mm (w/4pin connector)

Unit:mm

[CIRCUIT DIAGRAM]

