

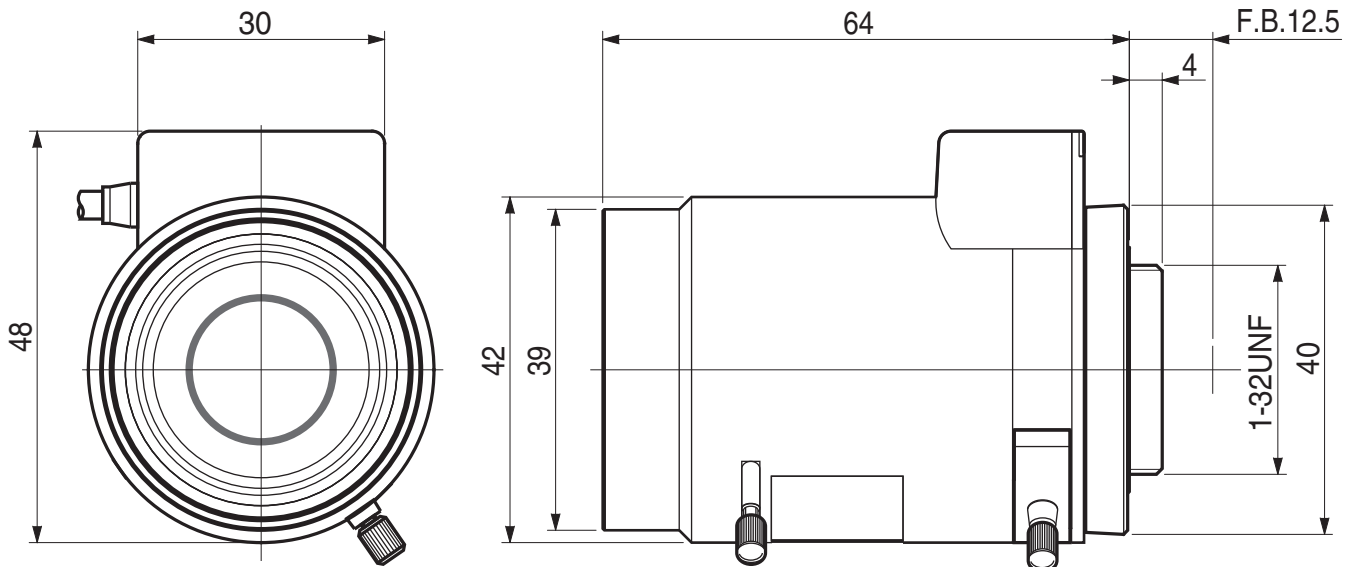
[SPECIFICATIONS] Extra Low Dispersion Glass + 11x Day & Night IR Lens Image Size: (1/3) (1/4)

<p>Focal Length : 5 - 55mm</p> <p>Maximum Relative Aperture : 1:1.4</p> <p>Iris : F1.4 - Approx.360 (With ND Spot Filter)</p> <p>Angular Field of View : 53.1X40.0 deg. at 5mm 4.8X 3.6 deg. at 55mm</p> <p>Image Format : 4.8X3.6mm (D6mm)</p> <p>Minimum Object Distance : 0.3m at 5mm 0.8m at 55mm(From Front Vertex)</p>	<p>Optical Back Focal Distance : More than 11.47mm (In Air)</p> <p>Flange Back : 12.5mm</p> <p>Operation Voltage : Close to Open : Less than 4.0V Open to Close : More than 0.5V</p> <p>Operation : Focus : Manual Zoom : Manual Iris : IG(Auto Close System)</p> <p>Operation Temperature : -10 to +50 C °</p> <p>Mount : CS-Mount (Adjustable Lens Position)</p> <p>Size, Weight : D42X50X64mm</p>
--	--

[COMPOSITION]

- Lens1
- Lens Cap1
- Dust Cap1

[DIMENSIONS]



*Cable Length :230mm (W/4pin Connector)

Unit:mm

[CIRCUIT DIAGRAM]

