

# CARINA TAV2712AI

**[SPECIFICATIONS] F1.2 ASPHERICAL LENS + DAY&NIGHT LENS**

Image Size:  $\frac{1}{3}$   $\frac{1}{4}$

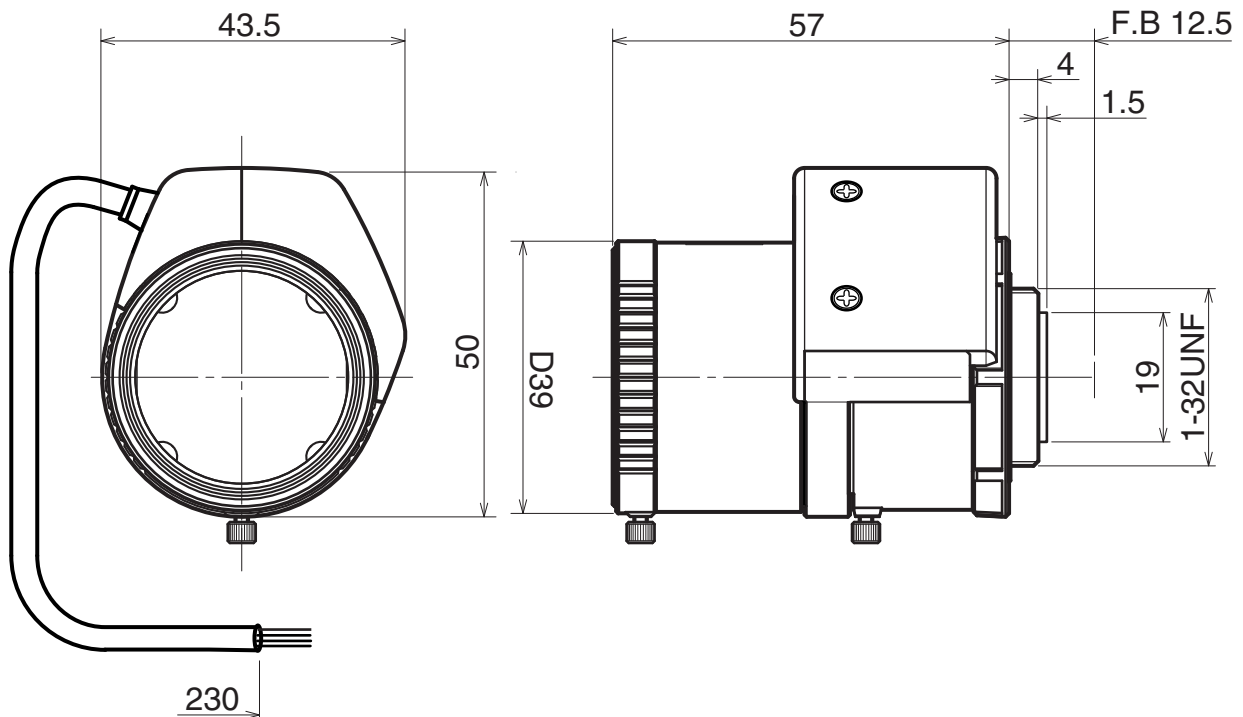
Focal Length : 2.7 - 12mm  
 Maximum Relative Aperture : 1:1.2  
 Iris : F1.2 - 360  
 (With ND Spot Filter)  
 Angular Field of View : 97.4X72.4 deg.at 2.7mm  
 23.8X17.8 deg.at 12mm  
 Image Format : 4.8X3.6mm(D6mm)  
 Minimum Object Distance : 0.3m(From Front Vertex)  
 Object Dimensions at M.O.D. : 89.8X67.4cm at 2.7mm  
 13.5X10.1cm at 12mm  
 Input Signal : Composite Video Signal or Video Signal  
 Photometry Range : Approx. 40% - 70% Variable to Vp-p  
 Input Impedance : High Impedance

Optical Back Focal Distance : 7.13mm(In Air)  
 Flange Back: 12.5mm  
 Operation : Focus : Manual  
 Zoom : Manual  
 Iris : EE(Auto Close System)  
 EE Mechanism : The built-in EE Amp amplifies the difference between the video signal from the camera and the preset Iris signal level. It causes the Iris to change size.  
 EE Accuracy : With Input Video Signal 0.7Vp-p  
 Within+/-10% of Mean Value  
 Operation Temperature : -10 to +50°C  
 Mount : CS-Mount(Adjustable Lens Position)  
 Size, Weight : D39X50X57mm, Approx. 72g

**[COMPOSITION]**

- Lens .....1
- Lens Cap .....1
- Dust Cap .....1

**[DIMENSIONS]**



**[CIRCUIT DIAGRAM]**

Unit:mm

